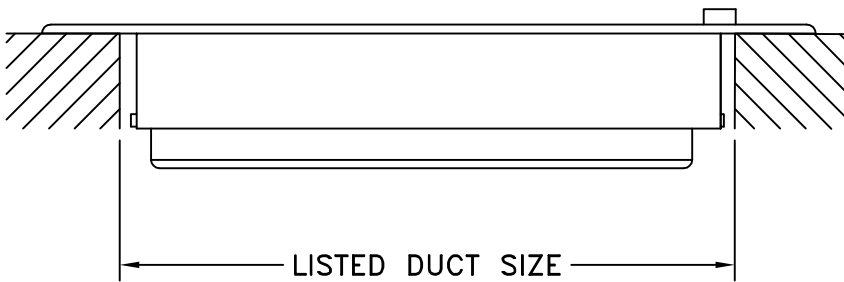
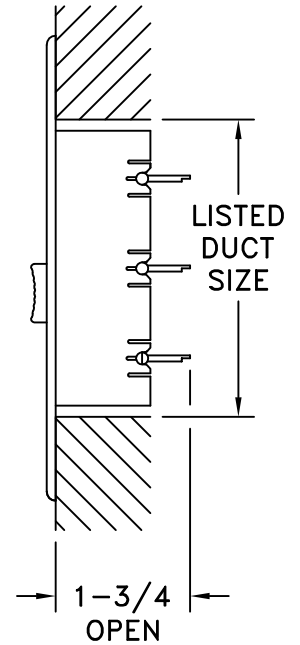
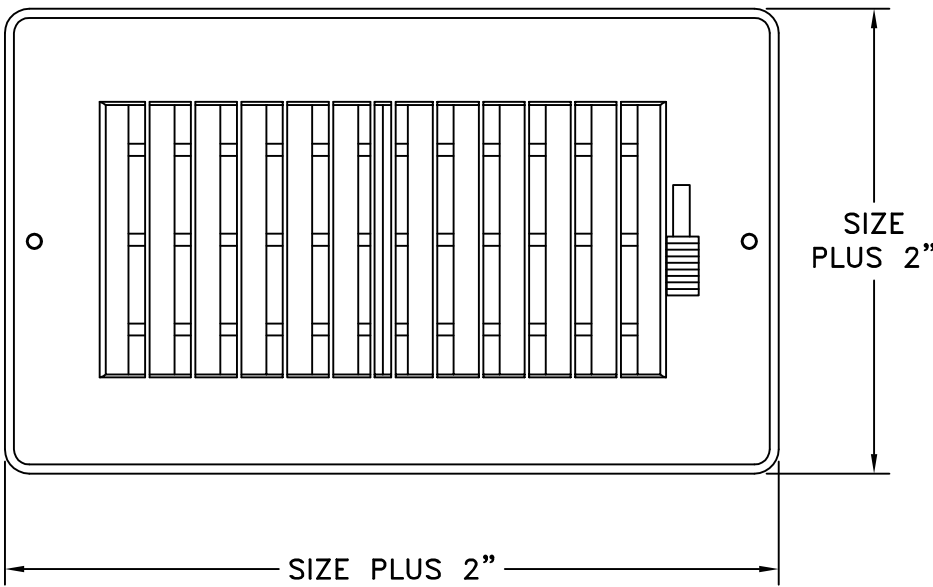


- ENGINEERED UV RESISTANT POLYMER CONSTRUCTION
- 2-WAY DEFLECTION 1/2" SPACING BETWEEN BARS
- INTEGRAL MULTI-SHUTTER DAMPER
- FOR HEATING AND COOLING
- FINISH: WHITE (W)



JOB NAME: _____	SUBMITTED BY: _____	DATE: 05/8/2014	RZ-2151
LOCATION: _____		<b>REZZIN 2-WAY</b>	
ARCHITECT: _____		Ceiling Or Sidewall Register	
ENGINEER: _____			
CONTRACTOR: _____			