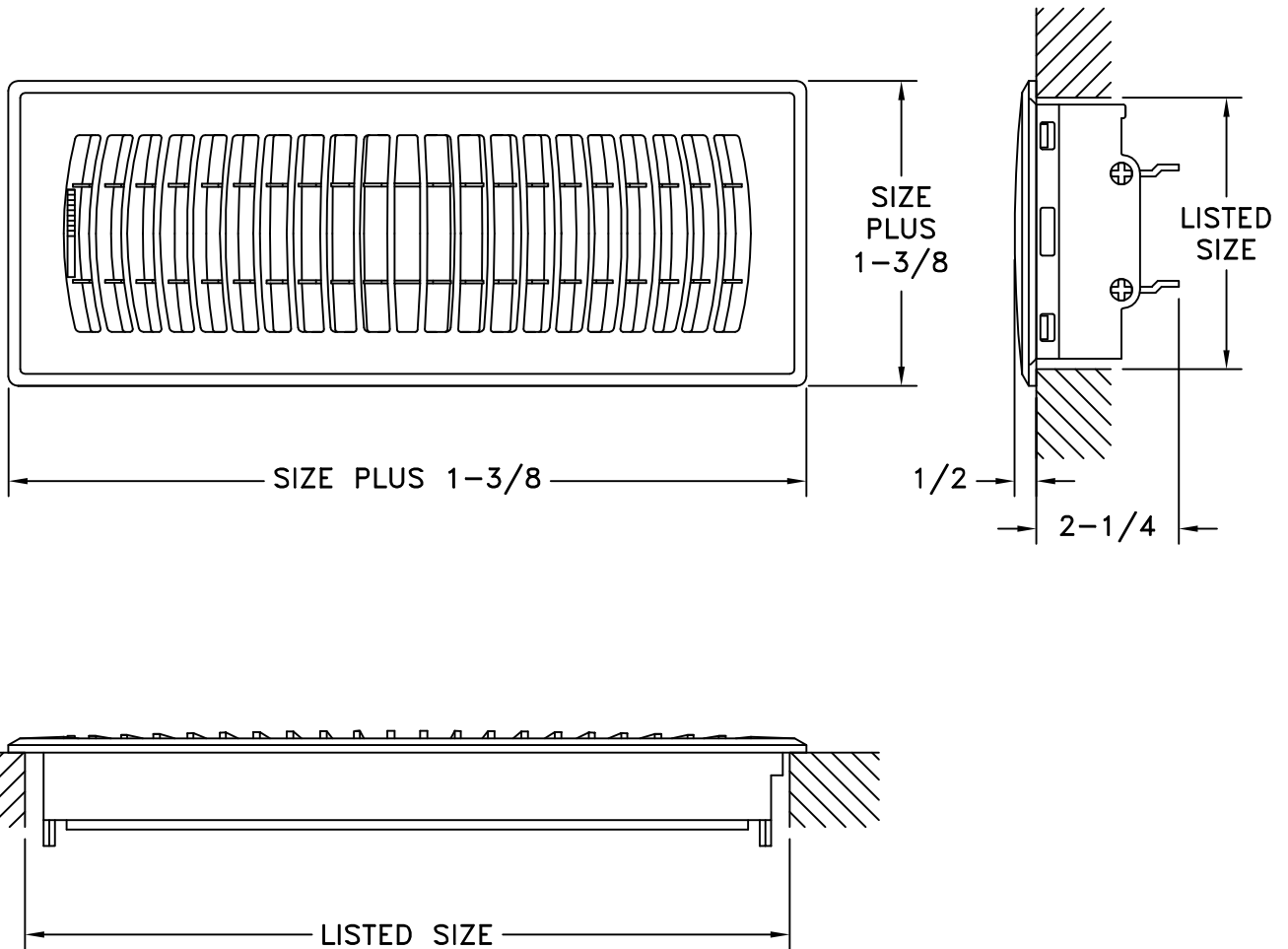


- SOLID ABS UV RESISTANT CONSTRUCTION FOR FLOOR USE
- MULTI-ANGLED FINS FOR FAN PATTERN OF AIR DISTRIBUTION
- FOOT OPERATED, MULTI-SHUTTER DAMPER
- FINISH: WHITE (W) AND BROWN (BR)



JOB NAME: _____	SUBMITTED BY: _____	DATE: 05/09/2014	RZ-2150
LOCATION: _____		<b>REZZIN</b>	
ARCHITECT: _____		Floor Diffuser	
ENGINEER: _____			
CONTRACTOR: _____			