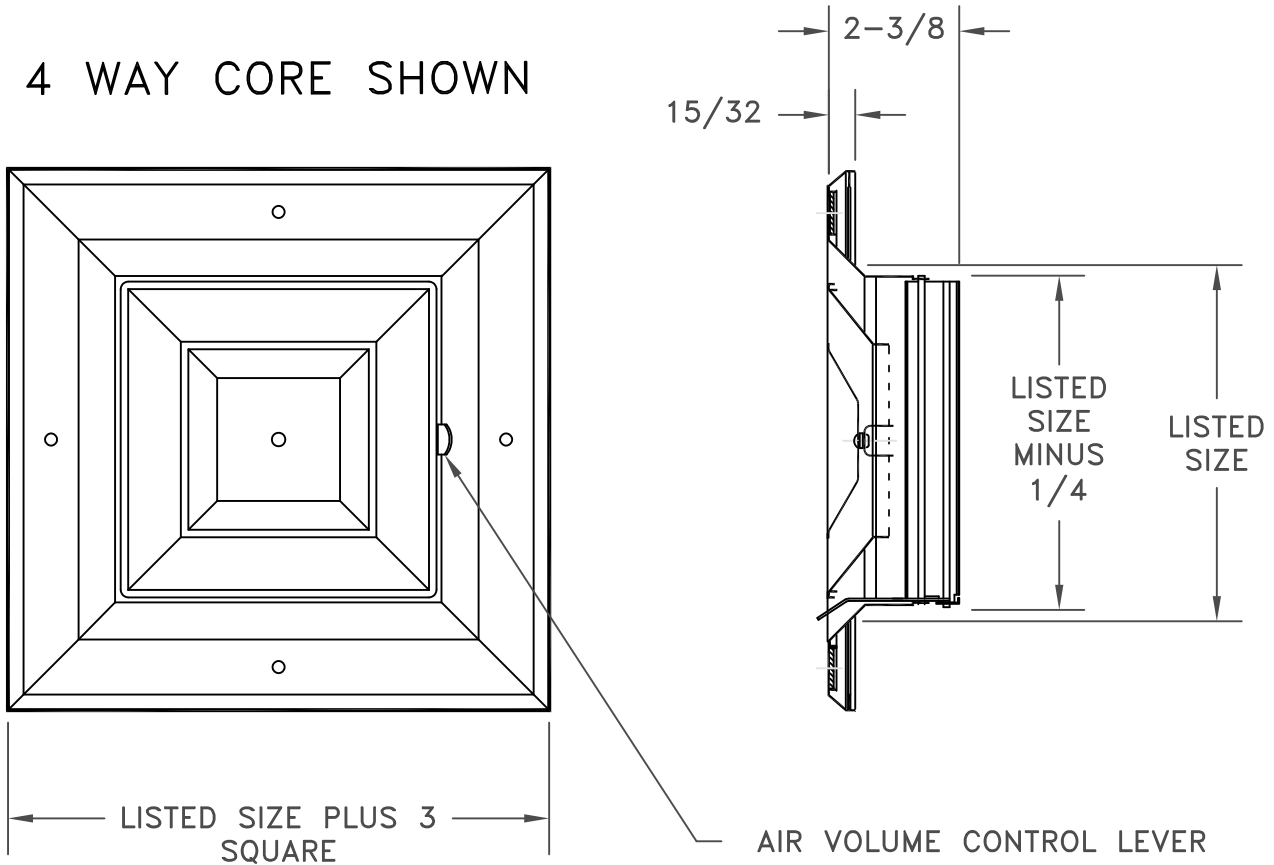


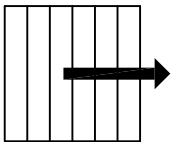
- INTEGRAL MULTI-SHUTTER DAMPER
- AVAILABLE IN SIZES 6 X 6 THROUGH 14 X 14 IN 2 INCH INCREMENTS
- FINISH: WHITE (W) ENAMEL

4 WAY CORE SHOWN

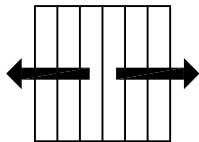


## FLOW PATTERNS

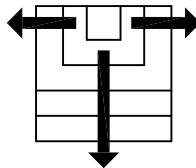
1 WAY  
A1001-MS



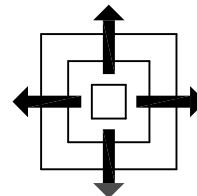
2 WAY  
A1002-MS



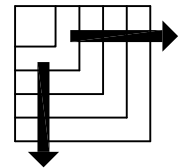
3 WAY  
A1003-MS



4 WAY  
A1004-MS



2 WAY  
CORNER  
A1005-MS



JOB NAME: \_\_\_\_\_  
 LOCATION: \_\_\_\_\_  
 ARCHITECT: \_\_\_\_\_  
 ENGINEER: \_\_\_\_\_  
 CONTRACTOR: \_\_\_\_\_

SUBMITTED BY: \_\_\_\_\_

DATE: 05/06/2019 | AM-1000MS

**A1000MS**  
 Aluminum Square Diffuser  
 With Multi-Shutter Damper