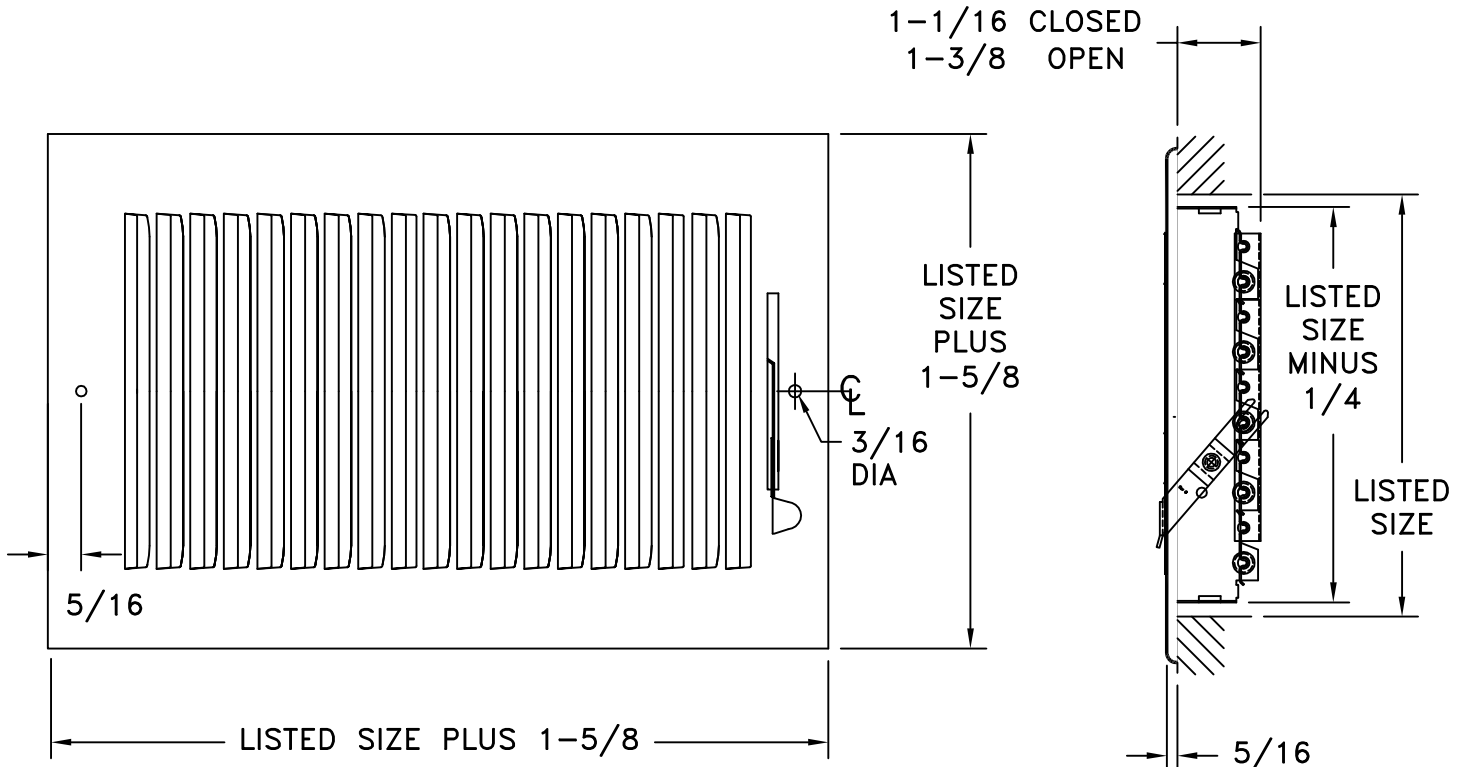
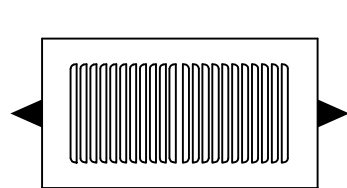


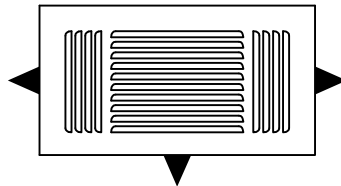
- ALL STEEL CONSTRUCTION
- INTEGRAL MULTI-SHUTTER DAMPER W/ METAL LEVER
- 1/2 INCH SPACED FINN SET AT 40 DEGREES
- SIZES OFFERED VARY BY FACE STYLE
- FOR HEATING OR COOLING
- FINISH: CEILING WHITE (CW)



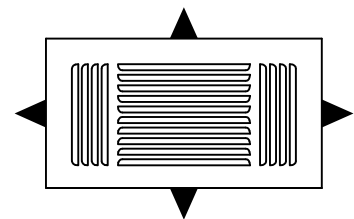
180RMS-ONE WAY THROW RIGHT
180LMS- ONE WAY THROW LEFT



160
160-FL WITH FUSABLE LINK



140



190

DAMPER AND DIMENSIONS ARE TYPICAL FOR ALL DEFLECTIONS

JOB NAME: _____
 LOCATION: _____
 ARCHITECT: _____
 ENGINEER: _____
 CONTRACTOR: _____

SUBMITTED BY: _____

DATE: 09/03/2014 | AM-100
SERIES 100
 Stamped Steel
 Ceiling Or Sidewall Register