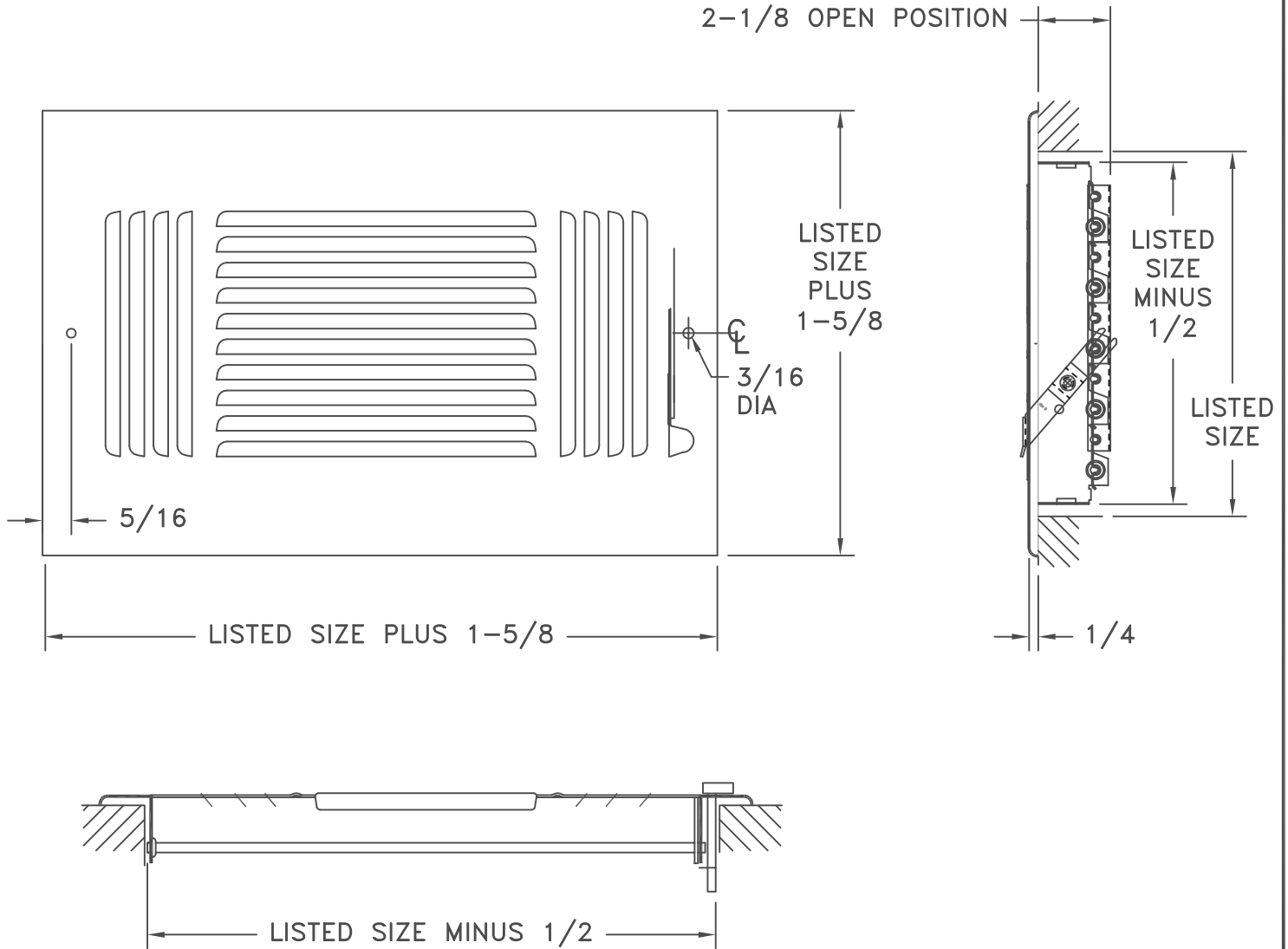


- ALL STEEL CONSTRUCTION
- INTEGRAL MULTI-SHUTTER DAMPER
- 1/3 INCH SPACED FINS SET AT 35 DEGREES
- 3-WAY DEFLECTION
- FOR HEATING OR COOLING
- FINISH: BRIGHT WHITE (W) ENAMEL



JOB NAME: _____
 LOCATION: _____
 ARCHITECT: _____
 ENGINEER: _____
 CONTRACTOR: _____

SUBMITTED BY: _____

DATE: 09/03/2014 | AM-143

143
 Steel 3-Way
 Ceiling Or Sidewall Register