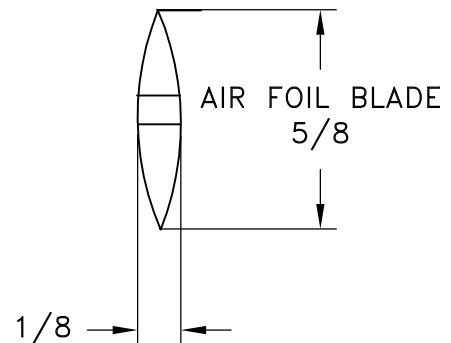
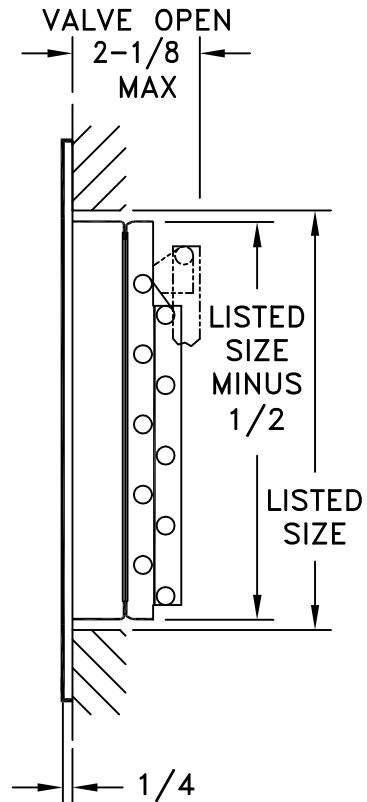
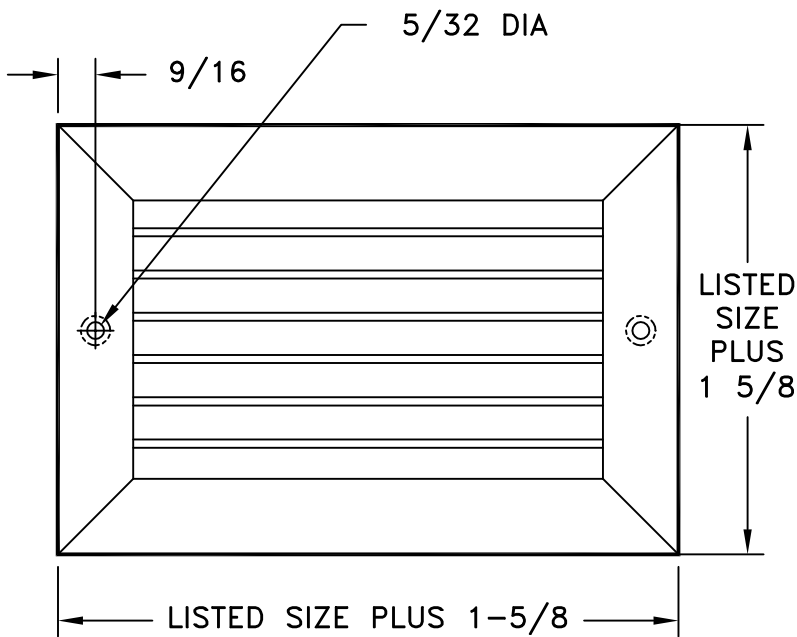


- EXTRUDED ALUMINUM CONSTRUCTION. SINGLE DEFLECTION GRILLE.
- MULTI-SHUTTER DAMPER
- INDIVIDUALLY ADJUSTABLE BLADES, 2/3" FIN SPACING
- EXTRUDED ALUMINUM AIR FOIL BLADES
- FINISH: BRIGHT WHITE OR PAINTED ALUMINUM



MODELS AVAILABLE

- E200HM- BLADES ARE HORIZONTAL
- E200VM-BLADES ARE VERTICAL

JOB NAME: _____

LOCATION: _____

ARCHITECT: _____

ENGINEER: _____

CONTRACTOR: _____

SUBMITTED BY: _____

DATE: 08/19/2014 | AM-E200VM/E200HM

E200VM/E200HM SERIES
 EXTRUDED ALUMINUM GRILLE WITH
 AIR FOIL BLADES AND MULTI-SHUTTER
 DAMPER. SINGLE DEFLECTION.