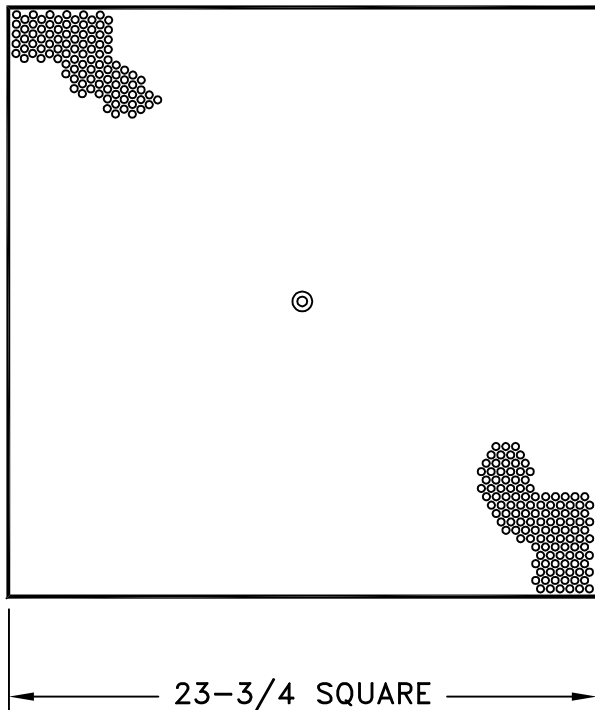
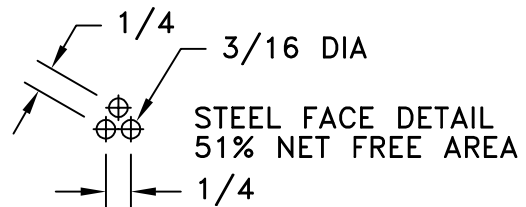
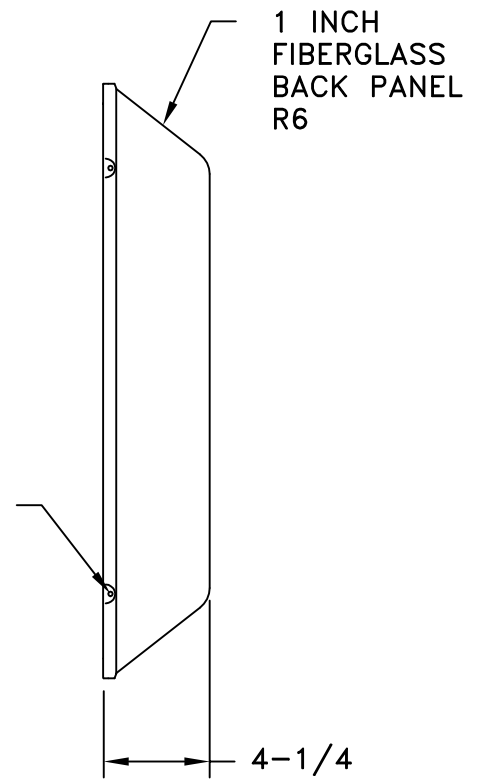


- FITS STANDARD 2' X 2' T-BAR CEILING SYSTEMS
- BONDED FOIL VAPOR BARRIER HELPS MINIMIZE CONDENSATION PROBLEMS
- FIBERGLASS BACK R6 ABSORBS SOUND
- PRESCORED BACK ACCEPTS 6-14 SNAP-IN COLLAR 805RC AND 805PP OR THE UNIQUE TAB COLLAR 800TC SERIES
- FINISH: WHITE (W)



SEISMIC SAFETY CONNECTIONS
(4 TOTAL:
2 ON 2 SIDES)



JOB NAME: _____	SUBMITTED BY: _____	DATE: 08/18/2014	AM-782RA
LOCATION: _____		782RA-RETURN	
ARCHITECT: _____		Perforated T-Bar Diffusers	
ENGINEER: _____		Fiberglass Back	
CONTRACTOR: _____			