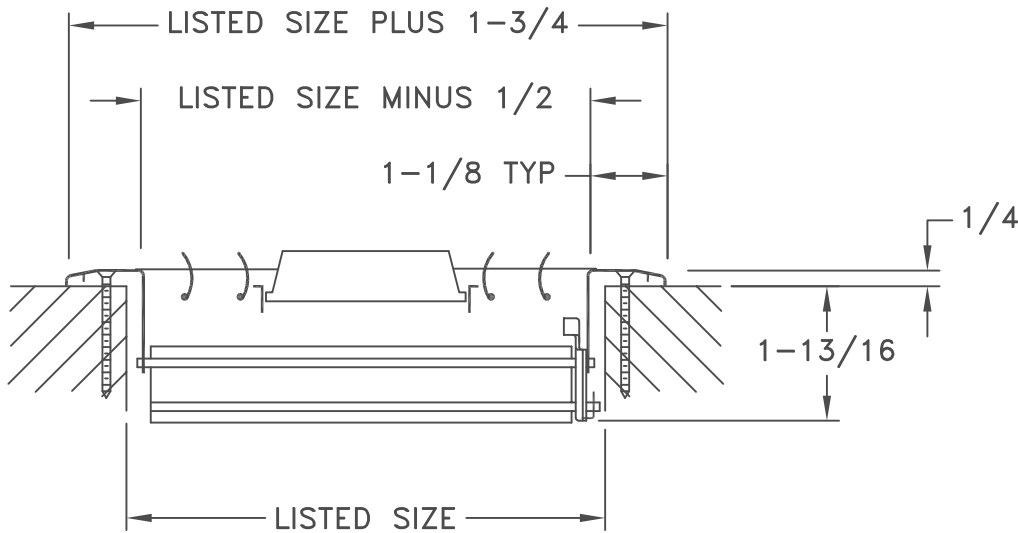
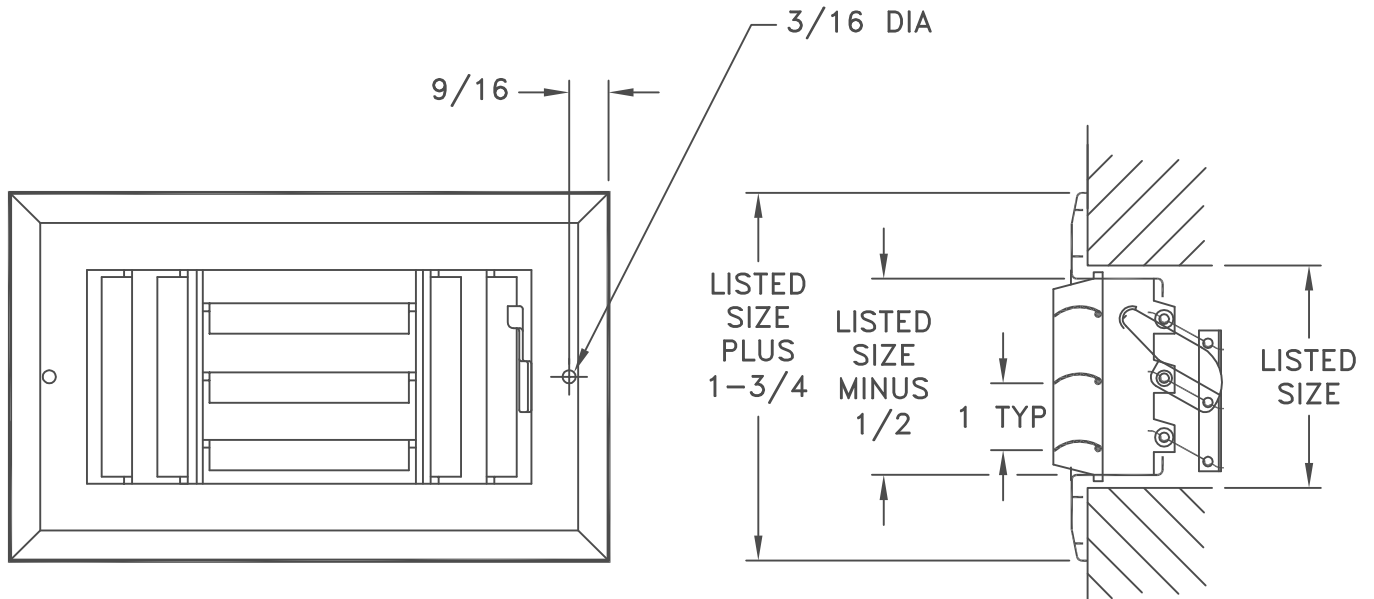


- ALUMINUM FACE, ALUMINIZED AND GALVANIZED STEEL DAMPER
- ADJUSTABLE CURVED BLADES
- MULTI-SHUTTER DAMPER
- MINIMUM SIZE = 8 X 4
- MAXIMUM SIZE = 14 X 14
- FINISH: WHITE (W) ENAMEL



JOB NAME: \_\_\_\_\_  
 LOCATION: \_\_\_\_\_  
 ARCHITECT: \_\_\_\_\_  
 ENGINEER: \_\_\_\_\_  
 CONTRACTOR: \_\_\_\_\_

SUBMITTED BY: \_\_\_\_\_

DATE: 07/20/2014 | AM-A483MS

**A483MS**  
 Aluminum  
 Curved Blade Register  
 3-Way Air Pattern