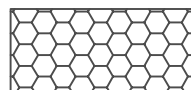
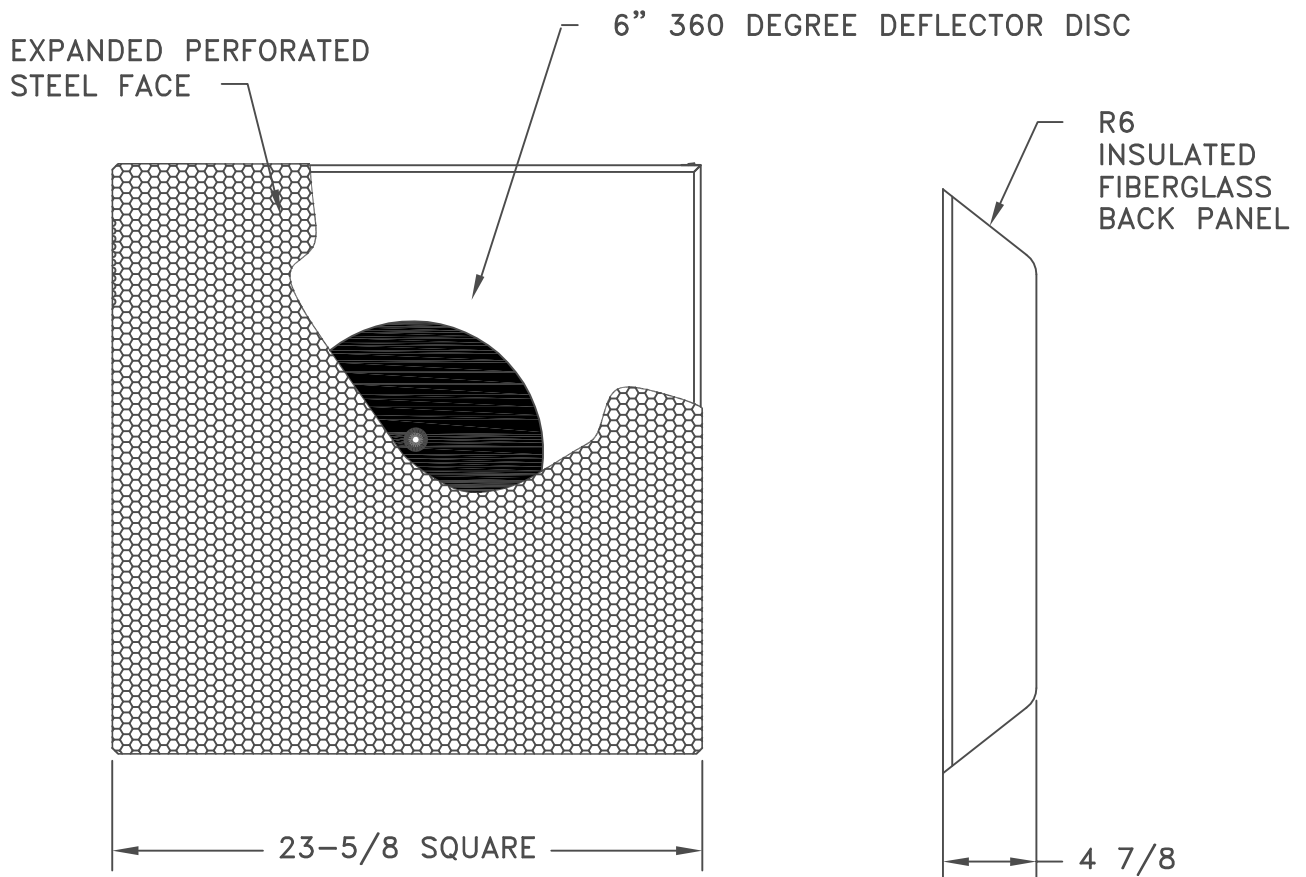


- EXPANDED PERFORATED SUPPLY DIFFUSER
- FITS 24"X24" T-BAR LAY-IN
- ACCEPTS 6 - 16 INCH TAB COLLAR (800TC) OR COLLAR RING (800RC)
- R6 INSULATED FIBERGLASS BACK PANEL
- STEEL CONSTRUCTION
- 360 DEGREE FIXED DEFLECTOR DISC
- FINISH: BRIGHT WHITE



FACE DETAIL

JOB NAME: _____	SUBMITTED BY: _____	DATE: 07/30/2014	AM-762A
LOCATION: _____		<b>762A</b> Steel T-Bar Fiberglass Back Expanded Perforated Face	
ARCHITECT: _____			
ENGINEER: _____			
CONTRACTOR: _____			