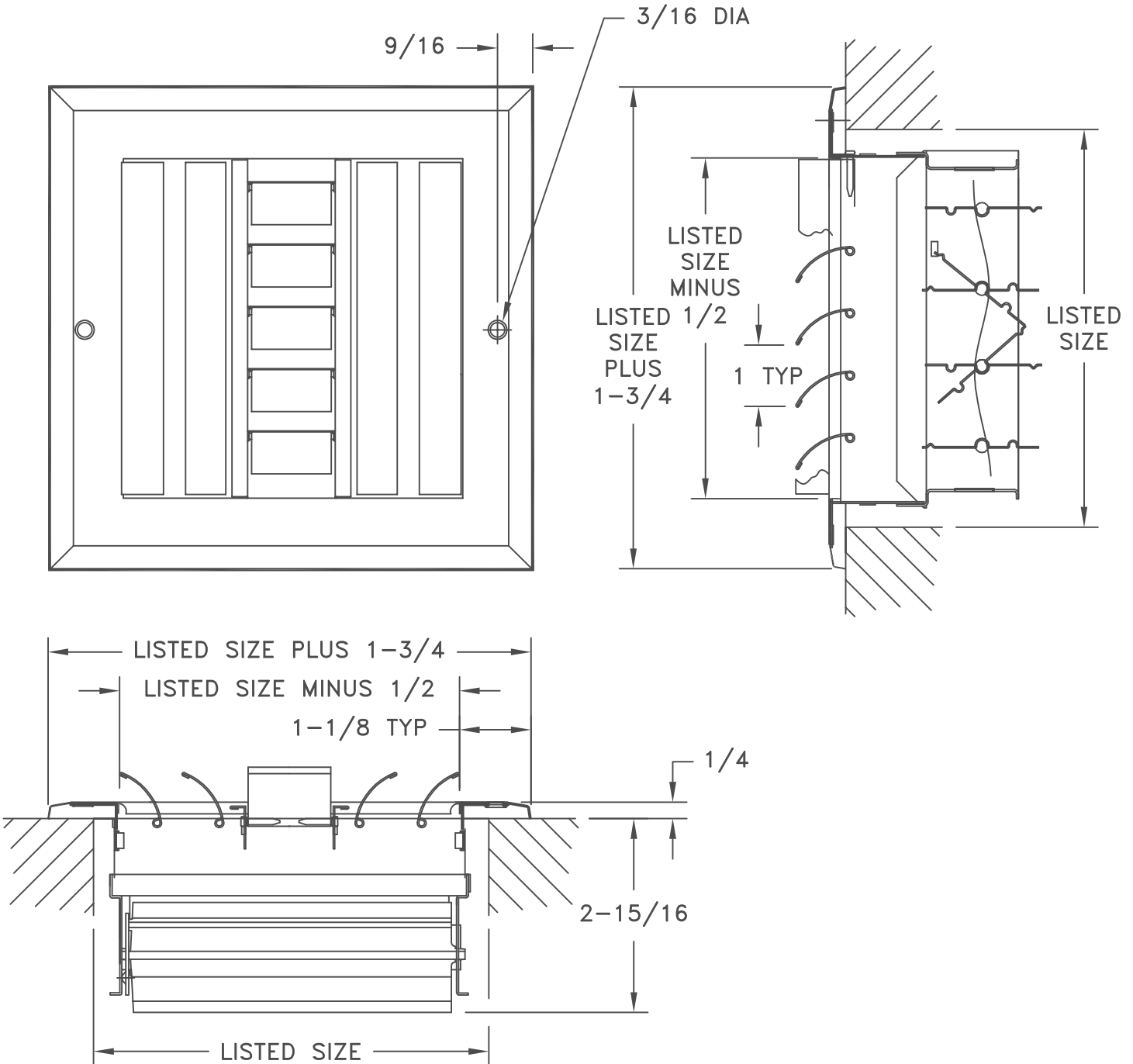


- ALUMINUM FACE, PAINTED STEEL OPPOSED BLADE DAMPER
- ADJUSTABLE CURVED BLADES
- MINIMUM SIZE = 6 X 6
- MAXIMUM SIZE = 14 X 14
- FINISH: WHITE (W) ENAMEL



JOB NAME: \_\_\_\_\_  
 LOCATION: \_\_\_\_\_  
 ARCHITECT: \_\_\_\_\_  
 ENGINEER: \_\_\_\_\_  
 CONTRACTOR: \_\_\_\_\_

SUBMITTED BY: \_\_\_\_\_

DATE: 07/20/2014 AM-A483OB  
**A483-OB**  
 Aluminum, Curved Blade Register  
 With Painted Steel  
 Opposed Blade Damper  
 3-Way Air Pattern