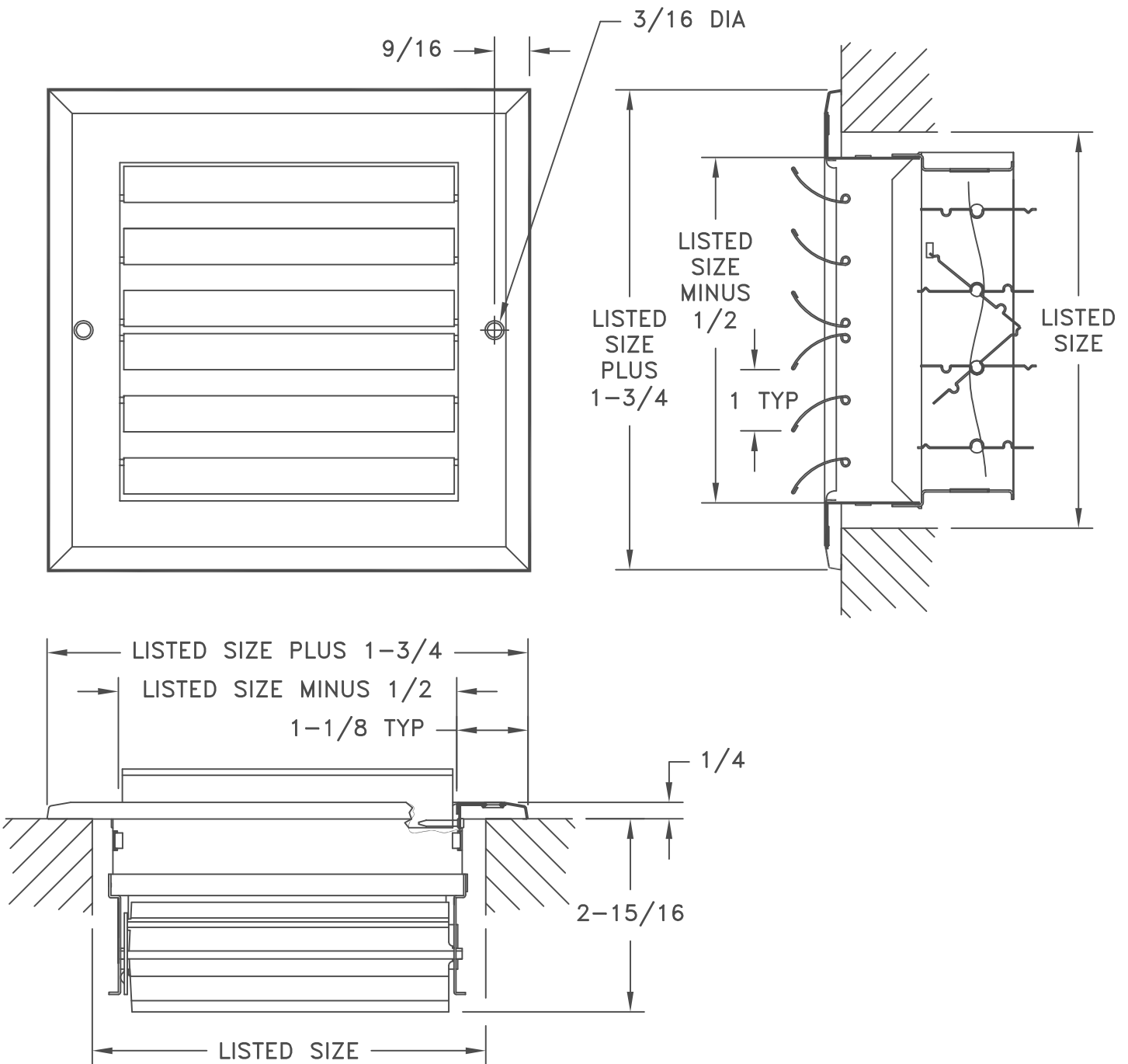


- ALUMINUM FACE, GALVANIZED STEEL OPPOSED BLADE DAMPER
- ADJUSTABLE CURVED BLADES
- MINIMUM SIZE = 8 X 8
- MAXIMUM SIZE = 14 X 8
- FINISH: WHITE (W) ENAMEL



JOB NAME: \_\_\_\_\_  
 LOCATION: \_\_\_\_\_  
 ARCHITECT: \_\_\_\_\_  
 ENGINEER: \_\_\_\_\_  
 CONTRACTOR: \_\_\_\_\_

SUBMITTED BY: \_\_\_\_\_

DATE: 07/20/2014 | AM-A4820B  
**A482-OB**  
 Aluminum, Curved Blade Register  
 With Galvanized Steel  
 Opposed Blade Damper  
 2-Way Air Pattern