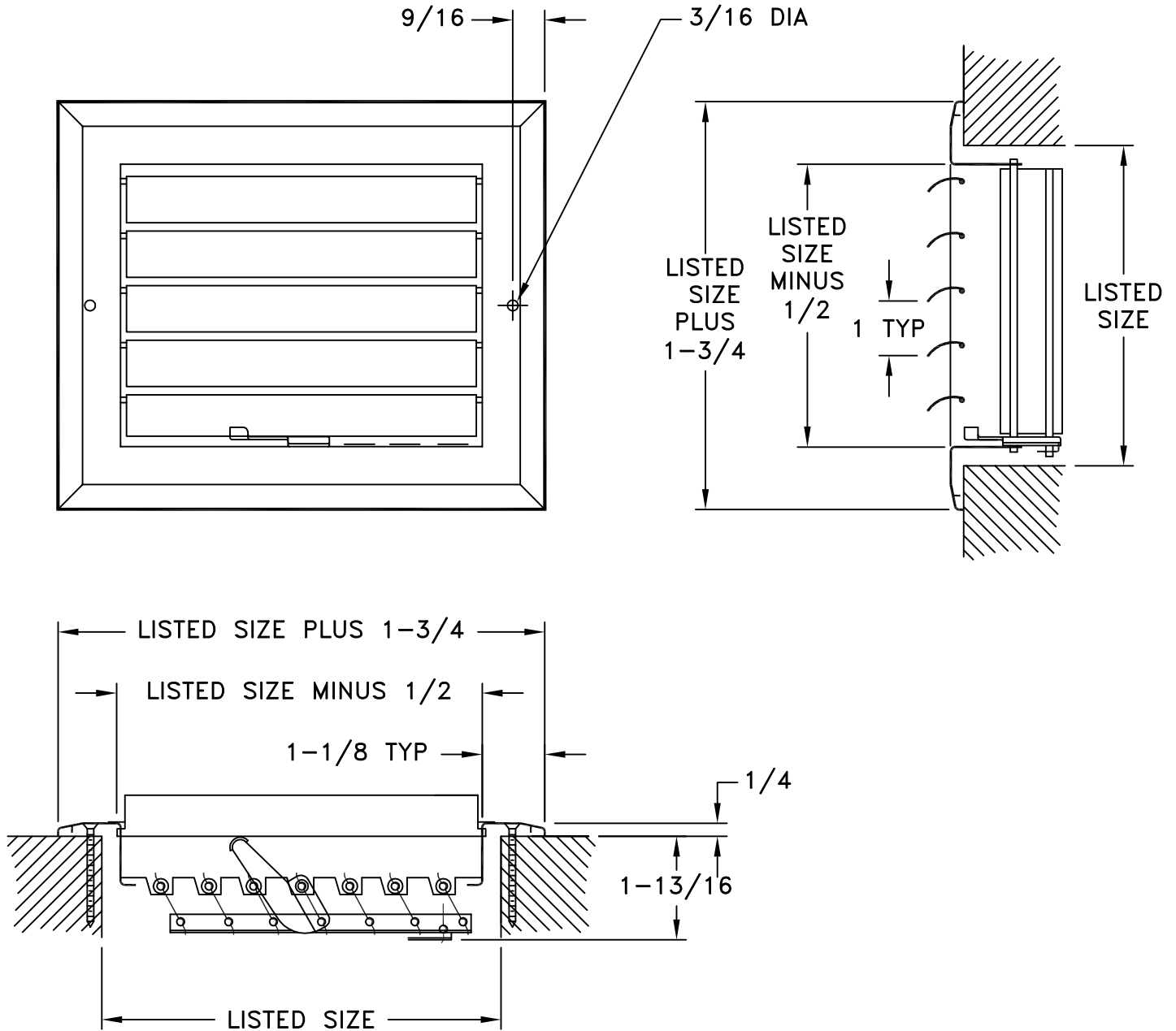


- ALUMINUM FACE, GALVANIZED STEEL DAMPER
- ADJUSTABLE CURVED BLADES
- MULTI-SHUTTER DAMPER
- MINIMUM SIZE = 6 X 6
- MAXIMUM SIZE = 14 X 8
- FINISH: WHITE (W) ENAMEL



JOB NAME: _____
 LOCATION: _____
 ARCHITECT: _____
 ENGINEER: _____
 CONTRACTOR: _____

SUBMITTED BY: _____

DATE: 07/20/2014 | AM-A481MS
A481MS
 Aluminum
 Curved Blade Register
 1-Way Air Pattern