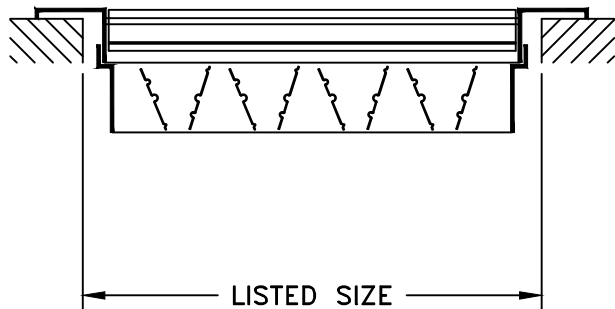
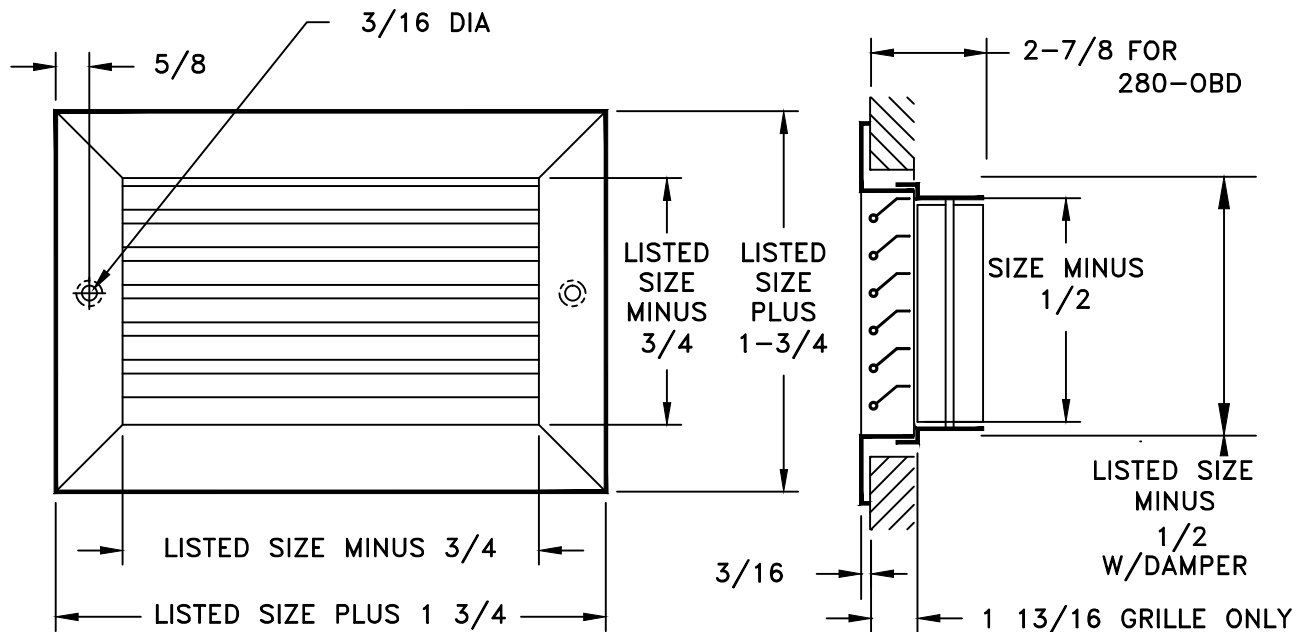


# AIRMATE

# SUBMITTAL DRAWING

- ALL STEEL CONSTRUCTION 280-OB FOR OPPOSED BLADE DAMPER
- FIXED BARS ON 3/4 INCH CENTERS SET AT 45°
- MINIMUM SIZE: 6 X 4
- MAXIMUM SIZE: 48 X 36 ONE PIECE CONSTRUCTION
- AVAILABLE IN 2 INCH INCREMENTS
- FINISH: WHITE (W) ENAMEL
- Z-FRAME AVAILABLE SPECIAL ORDER ONLY



JOB NAME: _____	SUBMITTED BY: _____	DATE: 03/08/2021	AM-280-280OB
LOCATION: _____		<b>280, 280-OB</b>	
ARCHITECT: _____		Grille, 3/4" Spaced Fins*	
ENGINEER: _____			
CONTRACTOR: _____			