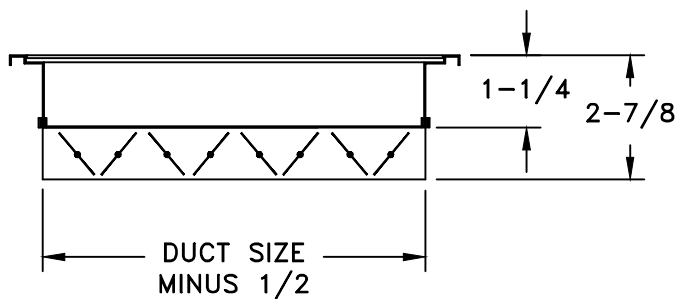
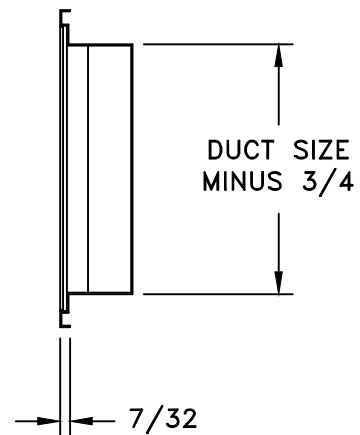
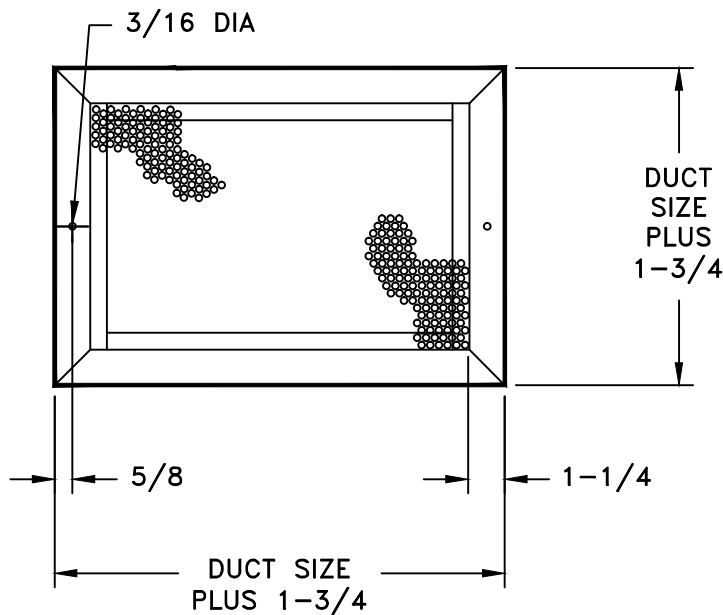


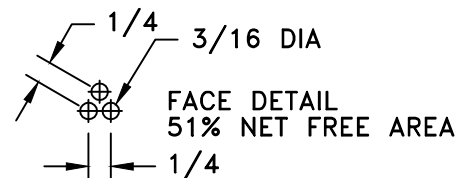
AIRMATE

SUBMITTAL DRAWING

- ALL STEEL CONSTRUCTION
- PERFORATED FACE
- OPTIONAL OPPOSED BLADE DAMPER*
- OPTIONAL T-BAR LAY-IN FRAME: 24X24 OR 24X48
- MINIMUM SIZE: 6 X 4
- MAXIMUM SIZE: 48 X 48
- FINISH: WHITE (W) ENAMEL



FACE DETAIL



MODELS AVAILABLE

- 740 (W x H) W
- 740-O (W x H) W
- 740 FP (W x H panel size) W

*FIELD TAP ACCESS HOLE IN PFG FACE TO OPERATE

JOB NAME: _____	SUBMITTED BY: _____	DATE: 03/08/2021	AM-740
LOCATION: _____		740 Perforated Face Grille	
ARCHITECT: _____			
ENGINEER: _____			
CONTRACTOR: _____			