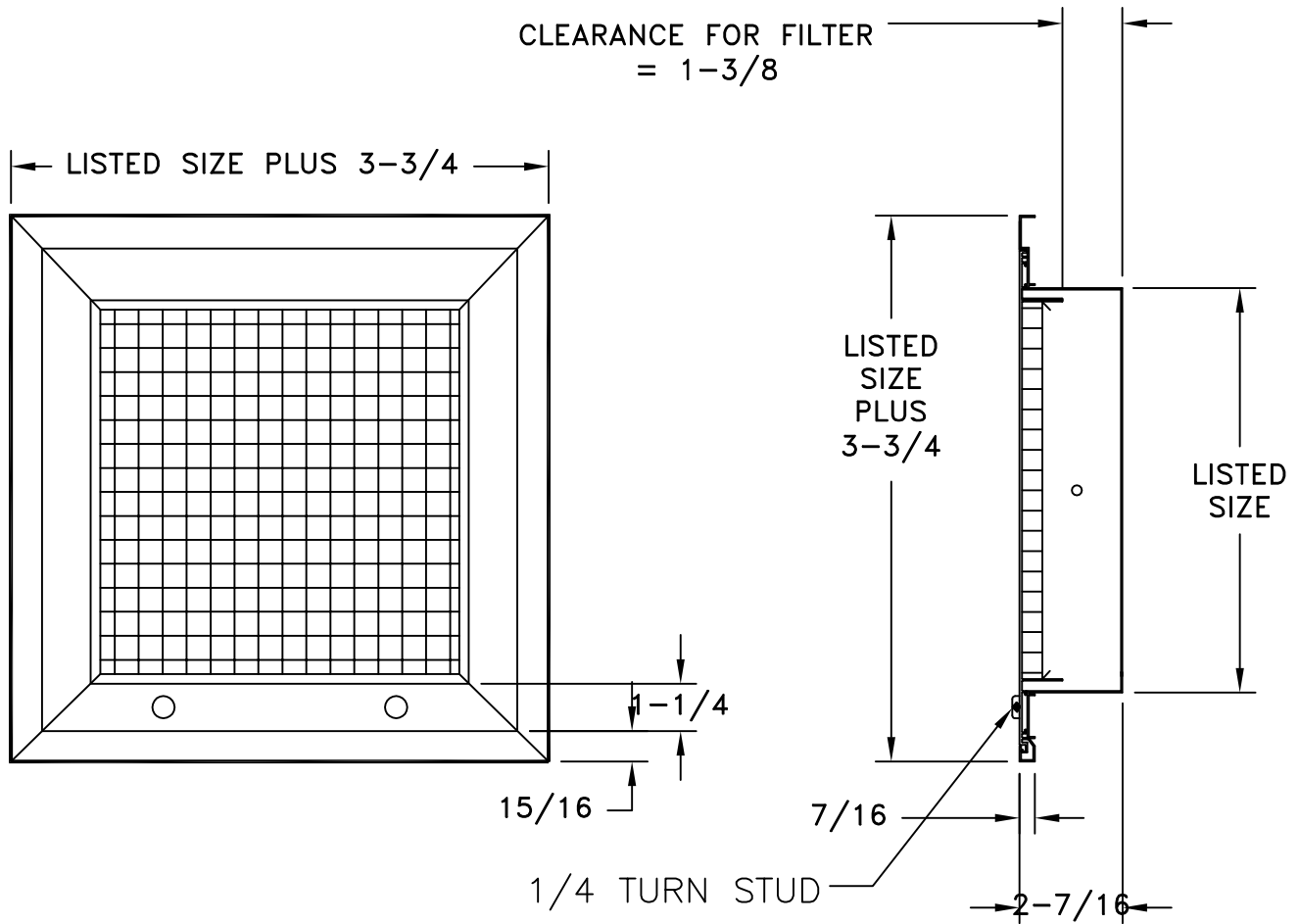


- EXTRUDED ALUMINUM CONSTRUCTION
- REMOVABLE FACE WITH 1/4 TURN FASTENER(S) & CONCEALED HINGE
- FILTER FRAME MAY BE SCREW FASTENED TO DUCT
- USES NOMINAL 1 INCH DISPOSABLE FILTERS
- FILTER SIZE EQUALS LISTED SIZE MINUS 1/4 INCH
- MINIMUM SIZE: 6 X 4
- MAXIMUM SIZE: 48 X 48
- AVAILABLE IN 1 INCH INCREMENTS
- FINISH: WHITE (W) ENAMEL OR MILL



MODEL	GRID CORE DIMENSIONS
E900FF	1/2 X 1/2 X 1/2

JOB NAME: \_\_\_\_\_  
 LOCATION: \_\_\_\_\_  
 ARCHITECT: \_\_\_\_\_  
 ENGINEER: \_\_\_\_\_  
 CONTRACTOR: \_\_\_\_\_

SUBMITTED BY: \_\_\_\_\_

DATE: 02/14/2014 | AM-E900FF  
**E900FF**  
 Extruded Aluminum  
 Grid Core  
 Filter Grille