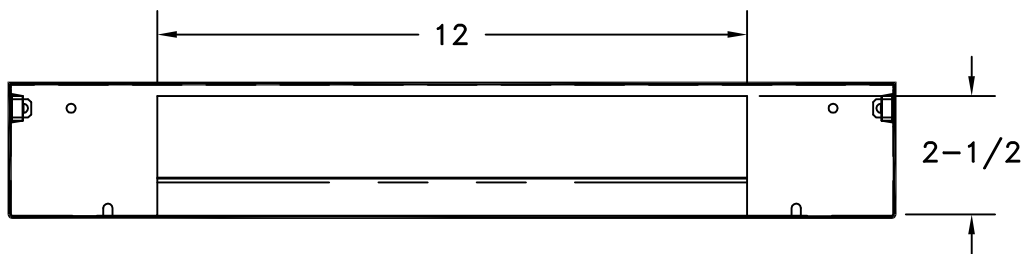
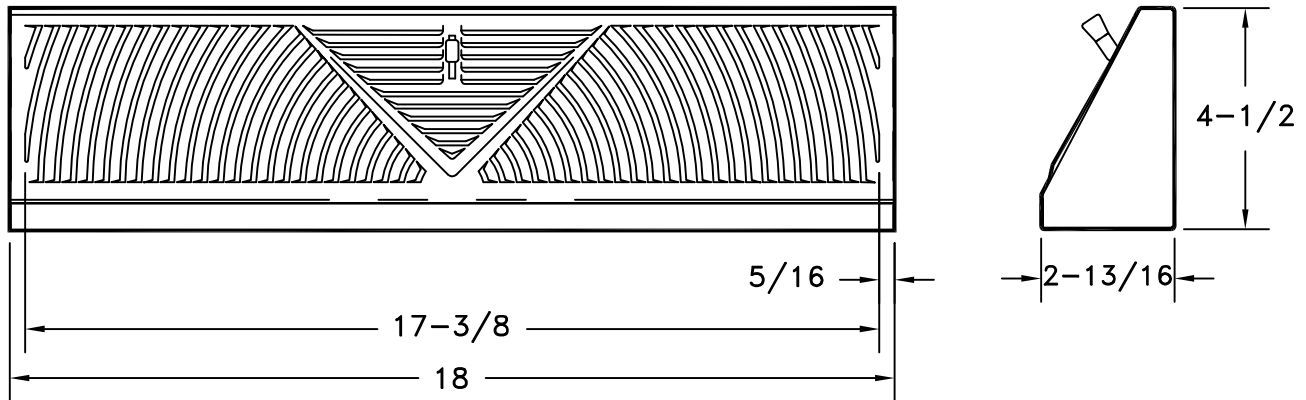


- ALL STEEL CONSTRUCTION
- DESIGNED TO BLANKET WALLS AND WINDOWS FROM BASEBOARD INSTALLATIONS
- 38 SQUARE INCHES OF FREE AREA
- SNAP IN FACE FOR EASE OF INSTALLATION
- FINISH: WHITE (W) OR BROWN (BR) ENAMEL



BOTTOM VIEW

JOB NAME: _____	SUBMITTED BY: _____	DATE: 08/13/2013
LOCATION: _____		350-18 Baseboard Diffuser - 18"
ARCHITECT: _____		
ENGINEER: _____		
CONTRACTOR: _____		