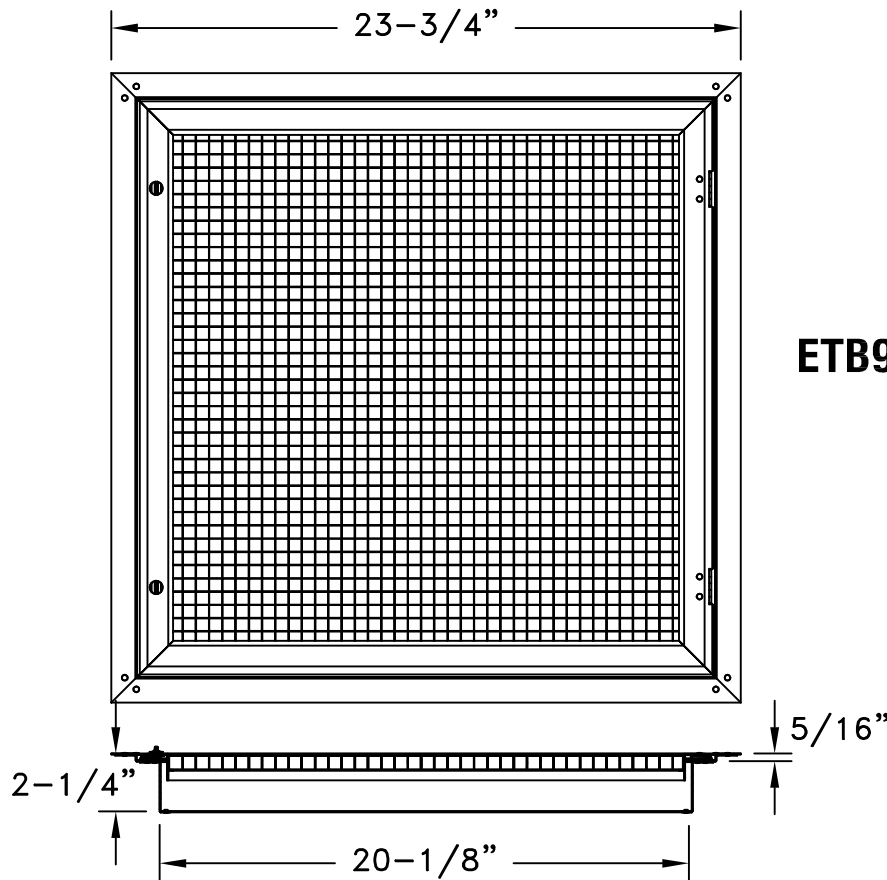


AIRMATE

SUBMITTAL DRAWING

- ALUMINUM CONSTRUCTION
- PERMANENT HINGE DESIGN, 1/4 TURN LATCH FASTENERS
- 1/2" x 1/2" x 1/2" EGGRATE FACE FOR MAXIMUM FREE AREA
- USES NOMINAL 1 INCH DISPOSABLE FILTERS
- FILTER SIZE 20" x 20" x 1" (NOT INCLUDED)
- SIZE: 24 X 24 LAY-IN T-BAR
- STANDARD FINISH IS WHITE
- EARTHQUAKE TABS INCLUDED



ETB900FF 20x20

JOB NAME: _____
LOCATION: _____
ARCHITECT: _____
ENGINEER: _____
CONTRACTOR: _____

SUBMITTED BY:

DATE: 08/18/2014 | AM-ETB900FF

ETB900FF
Aluminum Grid Core T-Bar
Filter Return Grille