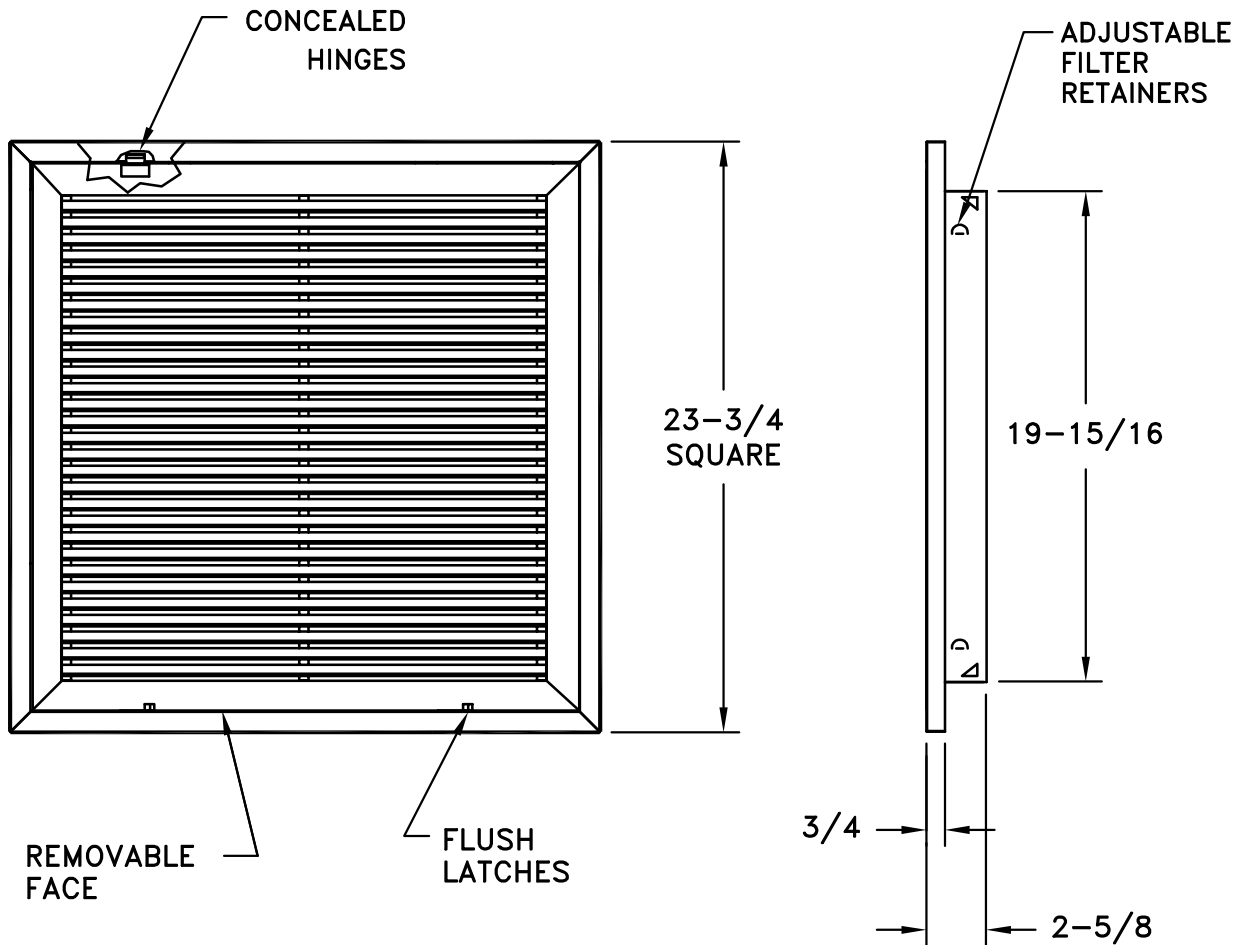


- STEEL CONSTRUCTION
- REMOVABLE FACE WITH CONCEALED HINGES AND FLUSH LATCHES
- 3/4 INCH SPACED FINNS SET AT 35 DEGREES
- USES NOMINAL 1 x 20 x 20 INCH DISPOSABLE FILTERS
- EQUIPPED WITH FILTER RETAINERS
- FINISH: WHITE (W) ENAMEL



JOB NAME: _____	SUBMITTED BY: _____	DATE: 07/28/2014	AM-280FF
LOCATION: _____		<b>TB-280FF</b> Steel 2 x 2 T-Bar Fixed Bar Filter Grille	
ARCHITECT: _____			
ENGINEER: _____			
CONTRACTOR: _____			