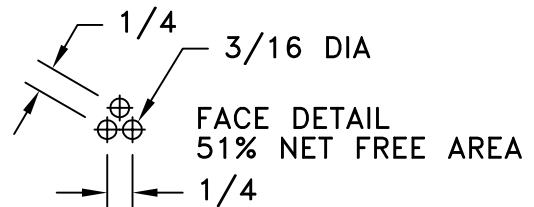
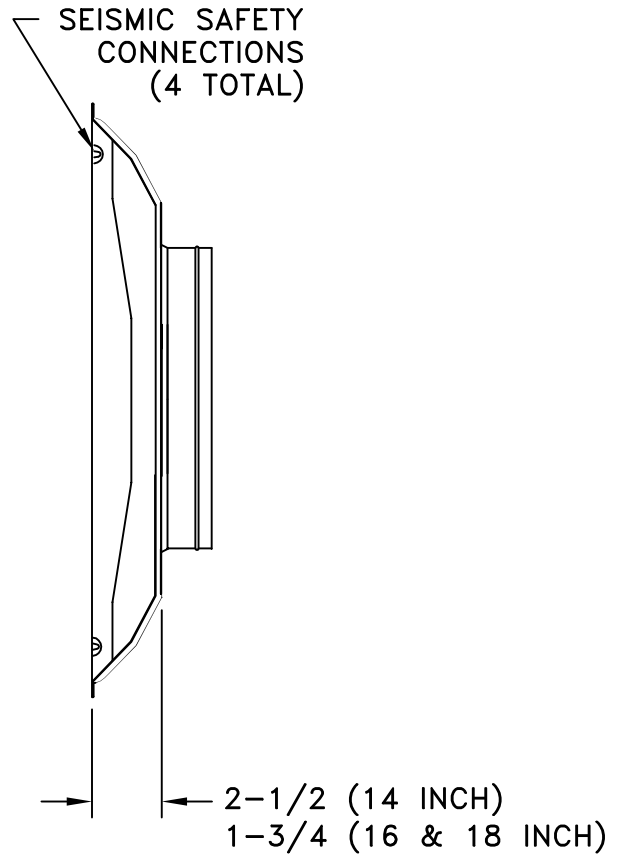
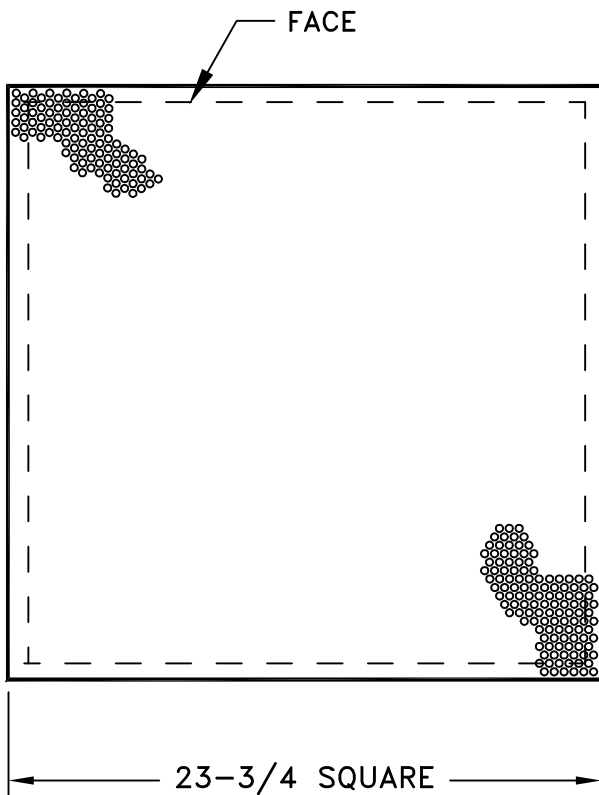


- STEEL CONSTRUCTION
- FITS STANDARD 2' X 2' T-BAR CEILING SYSTEMS
- AVAILABLE IN 14, 16 AND 18 INCH SIZES
- FINISH: WHITE (W) ON THE FACE WITH BLACK POLYESTER PAINT FINISH ON THE BACK PANEL



JOB NAME: _____	SUBMITTED BY: _____	DATE: 08/18/2014	AM-756RA
LOCATION: _____		756-RA	
ARCHITECT: _____		Perforated Face	
ENGINEER: _____		T-Bar Diffuser	
CONTRACTOR: _____		Return with Collar	