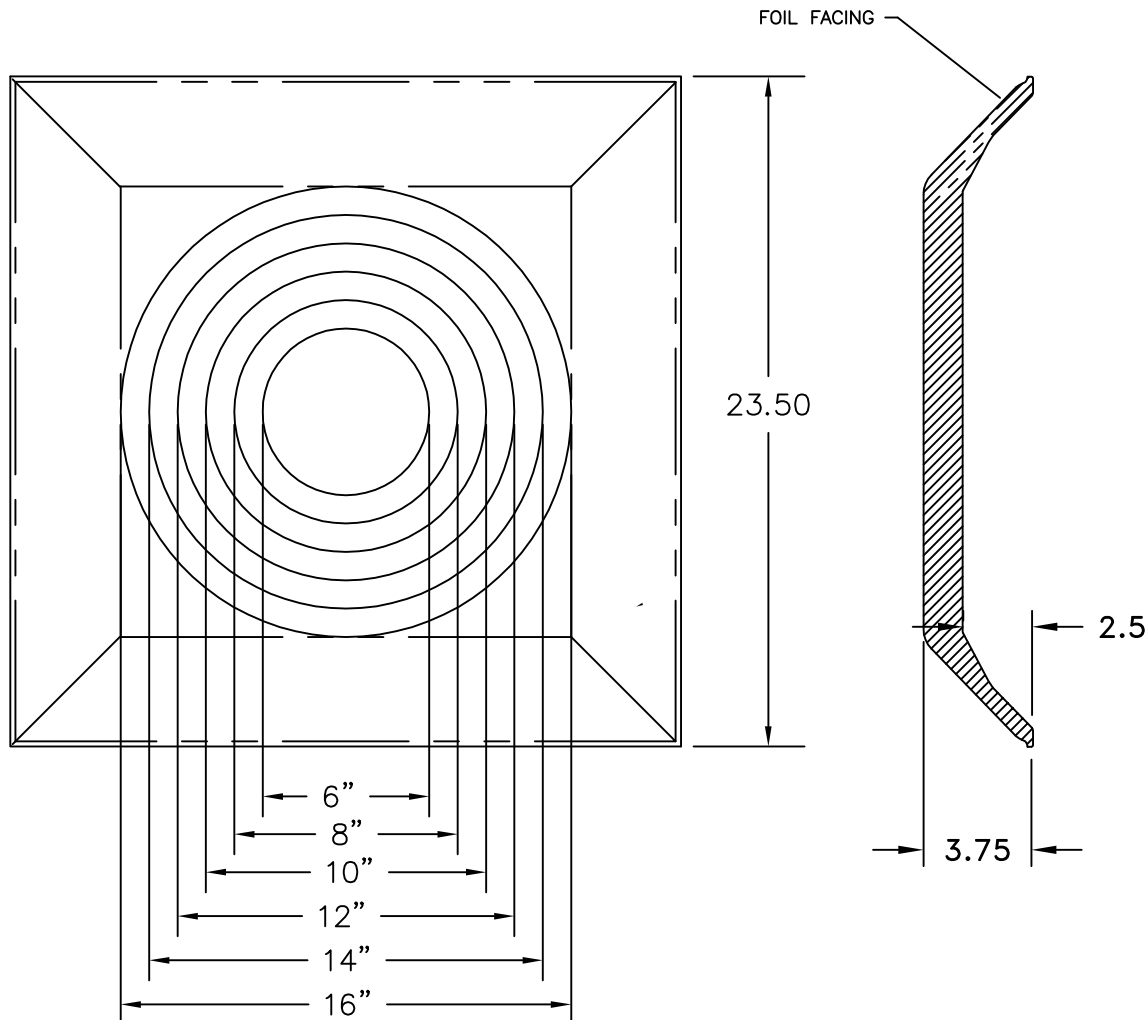


AIRMATE

SUBMITTAL DRAWING

- MOLDED FOIL FACE R6 FIBERGLASS
(THERMAL CONDUCTIVITY APPROX = 0.21 @ 75°F)
- LAYS ON BACK OF MOST STANDARD 2' x 2' T-BAR DIFFUSERS
- HAS 6"-16" SCORING, EVEN NUMBERS
- PASSES 25/50 FLAME AND SMOKE SPREAD ASTM E84 TEST
TO BE PERMITTED INTO CEILING/PLENUM SPACES
- MOLD RESISTANT
- UL 181 EROSION AND IMPACT TEST
- LOS ANGELES CITY COMPLIANT



JOB NAME: _____	SUBMITTED BY: _____	DATE: 10/10/2012
LOCATION: _____		1300 Plenum Only R-6 Insulation For T-bar Diffusers
ARCHITECT: _____		
ENGINEER: _____		
CONTRACTOR: _____		