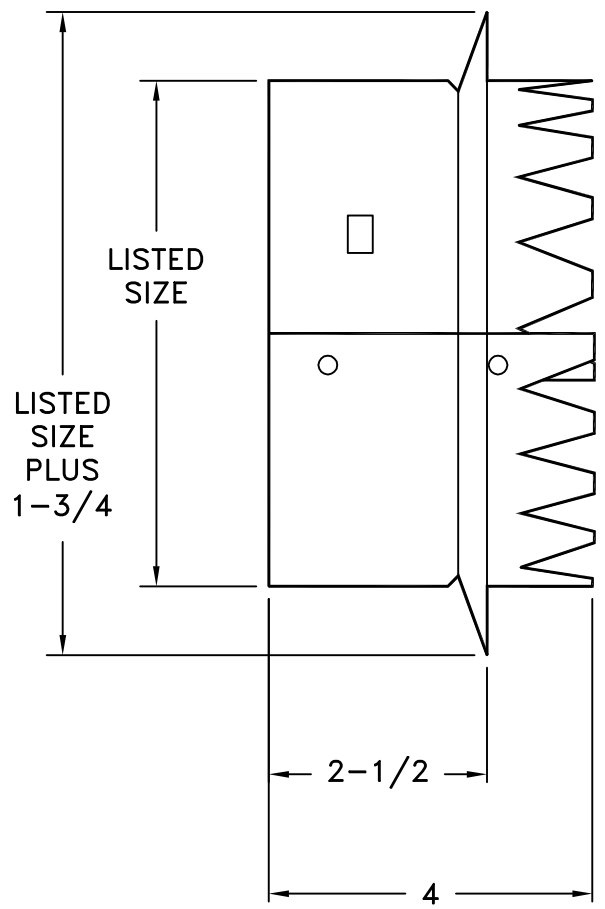
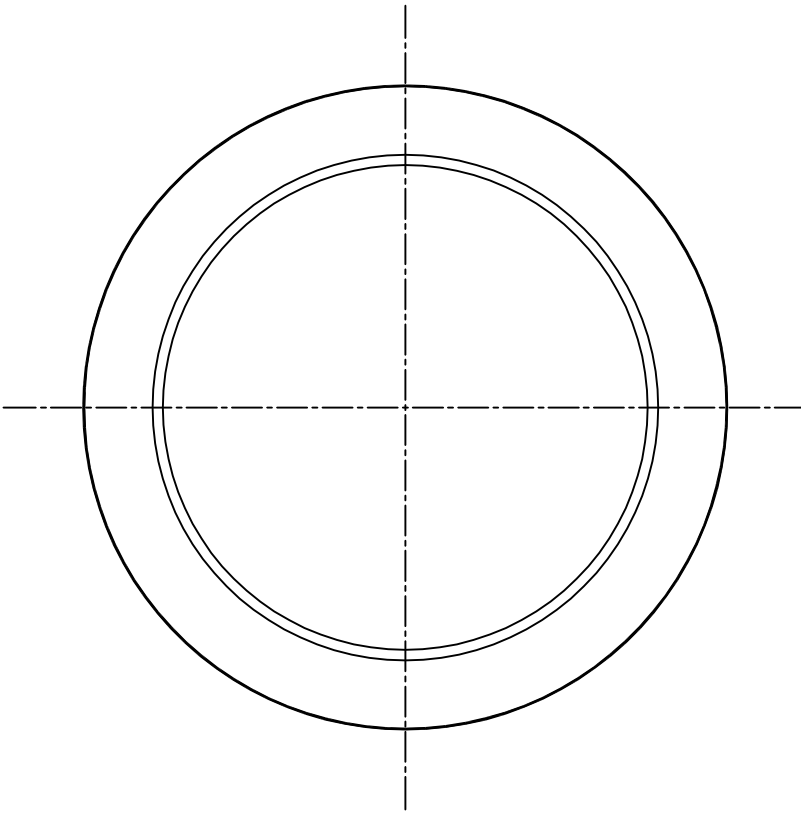


- GALVANIZED STEEL
- ACCEPTS 800-DO, OR RD DAMPERS
- SIZES AVAILABLE: 6, 8, 10, 12, & 14
- USED ON MOLDED FIBERGLASS AND DUCT BOARD BACKS



JOB NAME: _____	SUBMITTED BY: _____	DATE: 12/5/2012
LOCATION: _____		800-TC Tab Collar
ARCHITECT: _____		
ENGINEER: _____		
CONTRACTOR: _____		