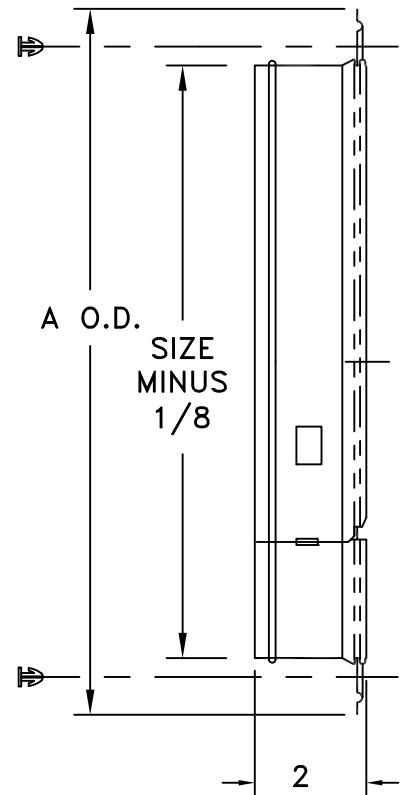
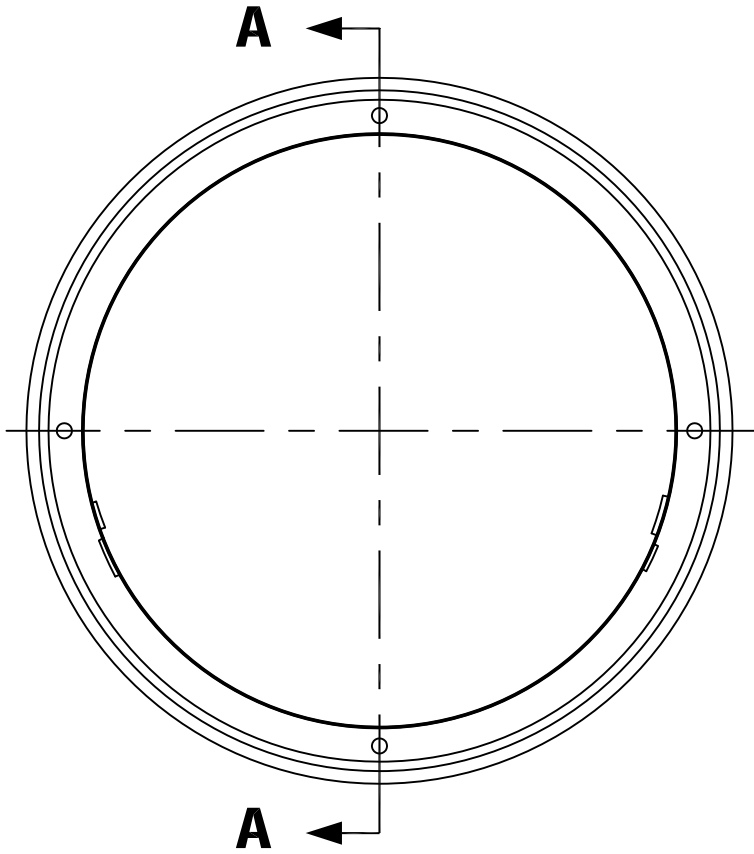


- MATERIAL: .018 GALVANIZED STEEL
- NO. 800-DO OR 805-D DAMPERS INSTALL DIRECTLY INTO PROVIDED COLLAR SLOTS
- BUILT IN BEAD FOR FLEX DUCT INSTALLATIONS
- A O.D. = DUCT SIZE MINUS 1/16
- PUSH CLIPS MOUNT THE COLLAR TO PRE-PUNCHED BACK PANEL HOLES
- SIZES AVAILABLE: 6, 8, 10, 12, 16 & 18 (14 INCH COLLAR FACTORY INSTALLED)



SECTION A-A

SIZE	A O.D.
6	14
8	14
10	14
12	14
14	16
16	20
18	20

NOTE:

THIS COLLAR CAN BE USED ON T-BAR PRODUCTS THAT HAVE A MOLDED FIBERGLASS BACK PANEL. ATTACHMENT REQUIRES THE USE OF THE 805-PP PUSH PINS.

JOB NAME: _____
 LOCATION: _____
 ARCHITECT: _____
 ENGINEER: _____
 CONTRACTOR: _____

SUBMITTED BY: _____

DATE: 4/26/11

805-RC SERIES
Collar