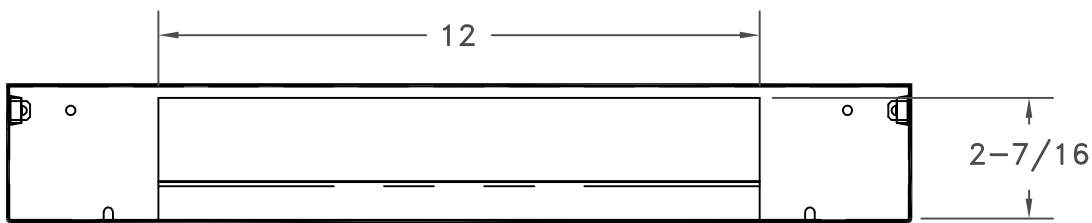
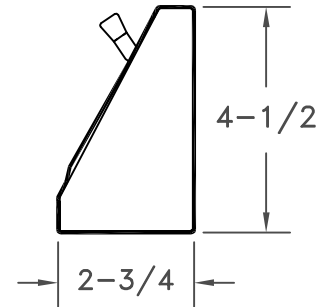
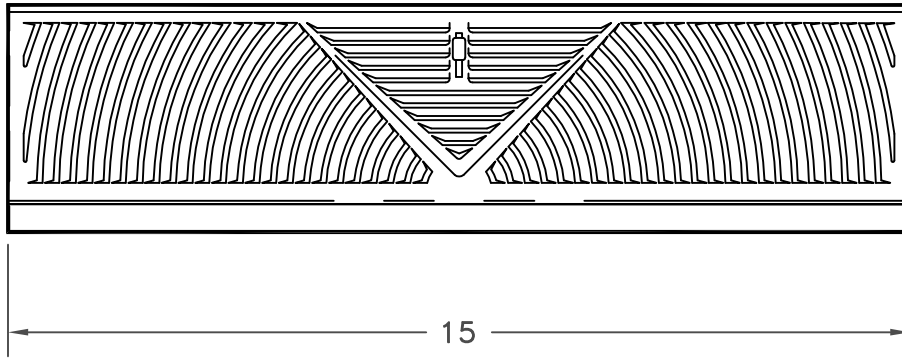


- ALL STEEL CONSTRUCTION
- DESIGNED TO BLANKET WALLS AND WINDOWS FROM BASEBOARD INSTALLATIONS
- 31 SQUARE INCHES OF FREE AREA
- REMOVABLE FACE FOR EASE OF INSTALLATION
- FINISH: WHITE (W)



BOTTOM VIEW

JOB NAME: _____	SUBMITTED BY: _____	DATE: 10/10/2012
LOCATION: _____		Series 350 Baseboard Diffuser - 15"
ARCHITECT: _____		
ENGINEER: _____		
CONTRACTOR: _____		