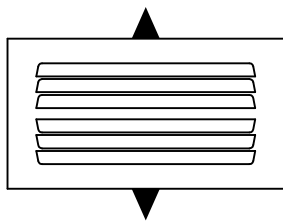
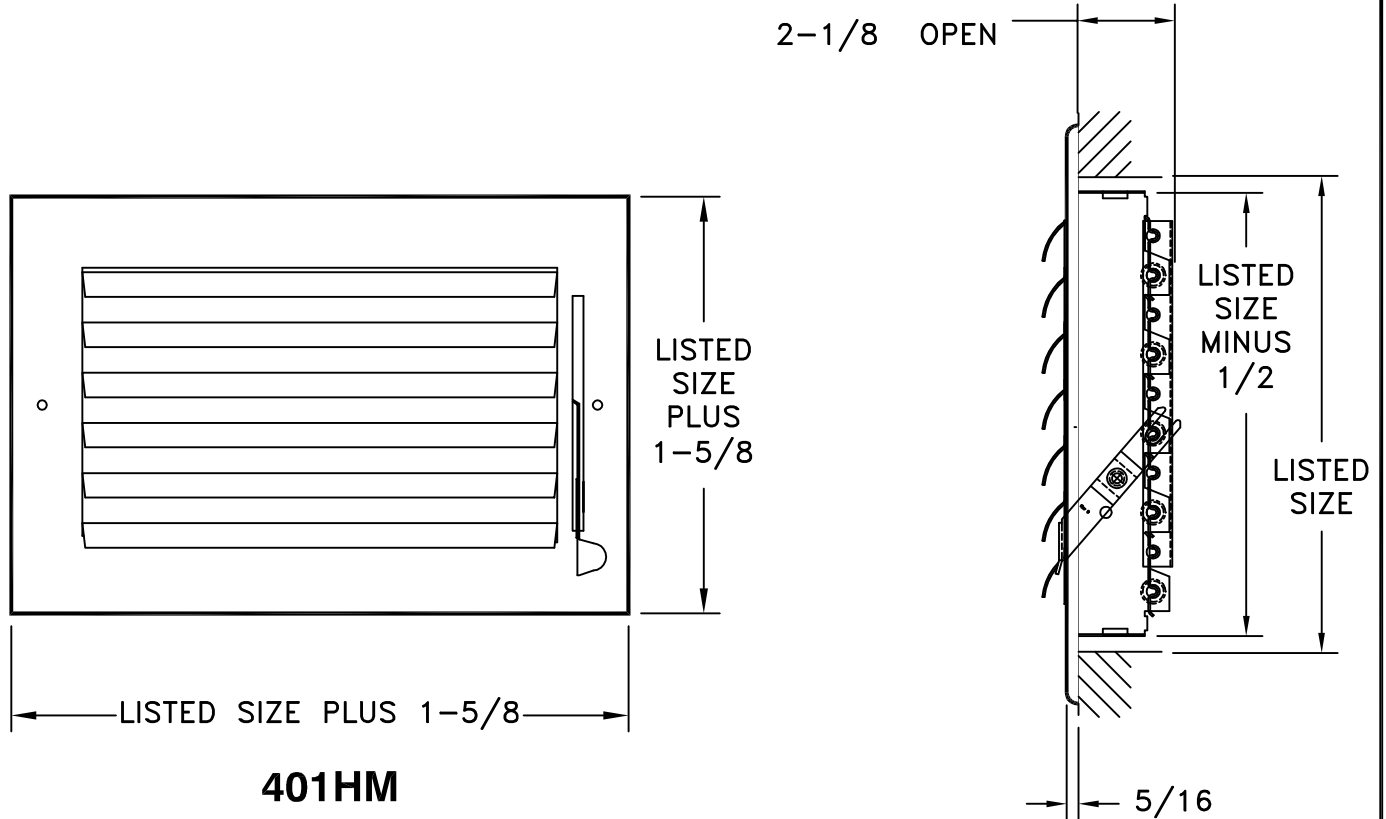
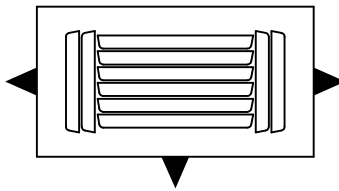


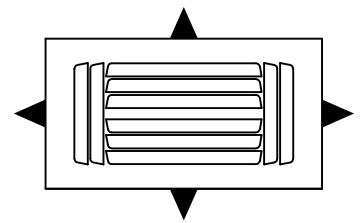
- STEEL ONE PIECE FACE CONSTRUCTION WITH ADJUSTABLE ALUMINUM CURVED BLADES
- GALVANIZED STEEL MULTI-LOUVERED DAMPER
- 3/4" FIN SPACING
- FINISH: WHITE (CW) ENAMEL



402HM



403M



404M

DAMPER AND DIMENSIONS ARE TYPICAL FOR ALL DEFLECTIONS

JOB NAME: _____

LOCATION: _____

ARCHITECT: _____

ENGINEER: _____

CONTRACTOR: _____

SUBMITTED BY: _____

DATE: 08/18/2014 | AM-400

400 SERIES
Steel/Alumium Curved Blade Register