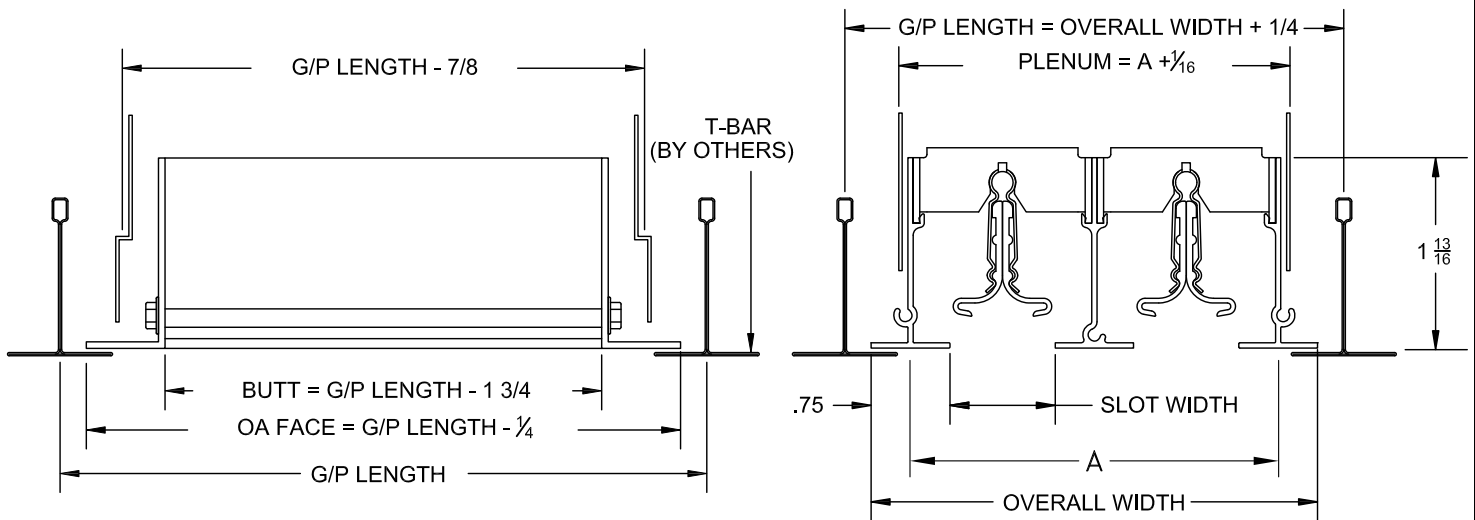


- EXTRUDED ALUMINUM CONSTRUCTION FOR LAY-IN T-BAR APPLICATIONS
- MINIMUM SIZE = 12 INCHES
- MAXIMUM SIZE = 72 INCHES ONE PIECE CONSTRUCTION
- MULTIPLE SECTIONS PINNED FOR PROPER ALIGNMENT
- DIFFUSERS AVAILABLE WITH ONE TO EIGHT SLOTS, WITH OR WITHOUT PATTERN CONTROLLER
- FINISH: WHITE (W) ENAMEL OR SATIN ANODIZED (SA)
- PATTERN CONTROLLER BLACK



- * NOTE: NOT FOR NARROW LINE CEILING GRID SYSTEMS
- * ORDER 24 AND 48 INCH WITH END CAPS FOR 2 AND 4 FOOT ON CENTER
- * ORDER 23" OR 47" LENGTH FOR THE DP PLENUM

SLOT WIDTH	TYPE	A - NOMINAL WIDTH	DUCT WIDTH*	OVERALL WIDTH
1/2	50	1-1/4 X NO. OF SLOTS	A + 1/16	A + 7/8
3/4	75	1-1/2 X NO. OF SLOTS	A + 1/16	A + 7/8
1	10	1-3/4 X NO. OF SLOTS	A + 1/16	A + 7/8

JOB NAME: _____	SUBMITTED BY: _____	DATE: 03/22/2017	AM-ESCD BO
LOCATION: _____		S SERIES Slot Diffuser Margin BO-Surface Mount	
ARCHITECT: _____			
ENGINEER: _____			
CONTRACTOR: _____			