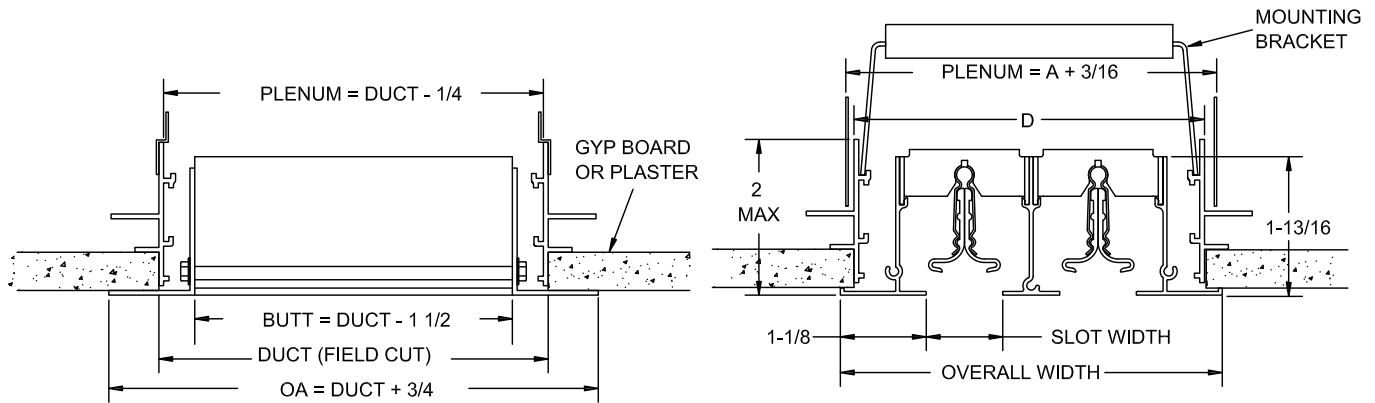


- EXTRUDED ALUMINUM CONSTRUCTION
- MINIMUM SIZE = 12 INCHES
- MAXIMUM SIZE = 72 INCHES ONE PIECE CONSTRUCTION
- MULTIPLE SECTIONS KEYED FOR PROPER ALIGNMENT
- DIFFUSERS AVAILABLE WITH ONE TO EIGHT SLOTS, WITH OR WITHOUT PATTERN CONTROLLER
- FINISH: WHITE (W) ENAMEL OR SATIN ANODIZED (SA) PATTERN CONTROLLER BLACK



- FOR CONCEALED MOUNTING WITH NON-FLUSH FRAME IN PLASTER OR TILE
- CONTRACTOR TO FRAME OPENING TO INSURE STRAIGHT LINE INSTALLATION (TYPICAL ALL INSTALLATIONS)

Dimension	Slot Width	Type	Number of Slots								Overall Width
			1	2	3	4	5	6	7	8	
A	1/2	50	2	3 1/4	4 1/2	5 3/4	7	8 1/4	9 1/2	10 3/4	A + 3/4
	3/4	75	2 1/4	3 3/4	5 1/4	6 3/4	8 1/4	9 3/4	11 1/4	12 3/4	A + 3/4
	1	10	2 1/2	4 1/4	6	7 3/4	9 1/2	11 1/4	13	14 3/4	A + 3/4

JOB NAME: \_\_\_\_\_  
 LOCATION: \_\_\_\_\_  
 ARCHITECT: \_\_\_\_\_  
 ENGINEER: \_\_\_\_\_  
 CONTRACTOR: \_\_\_\_\_

SUBMITTED BY: \_\_\_\_\_

DATE: 11/18/16

AM-ESCD E2

## S SERIES

Slot Diffuser  
 Margin E2-Surface Mount with  
 Plaster Frame