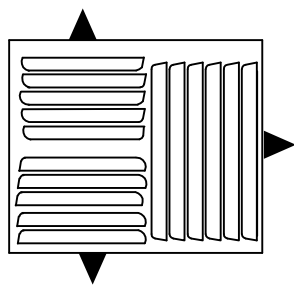
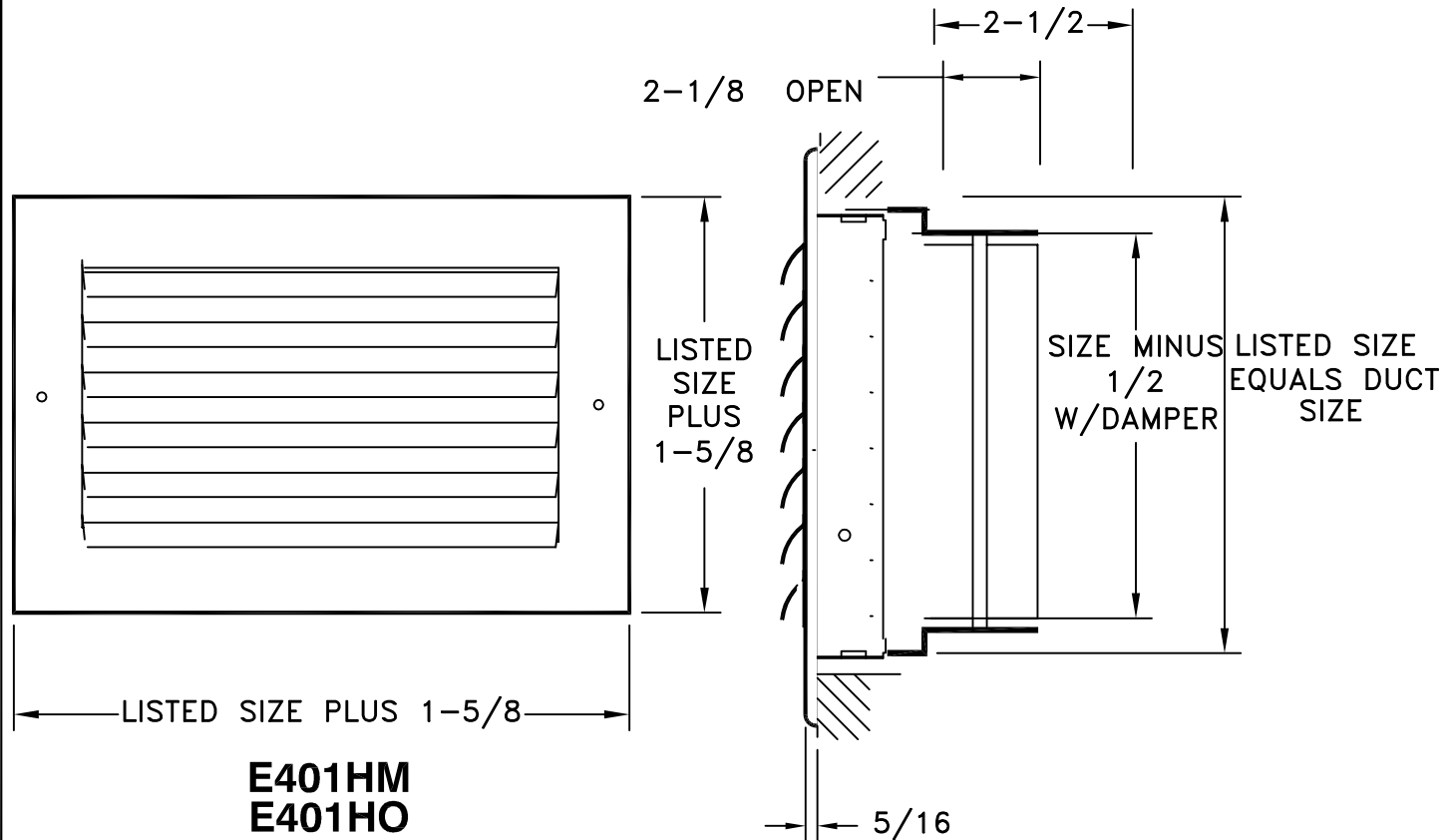
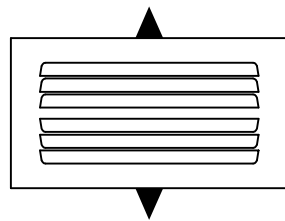


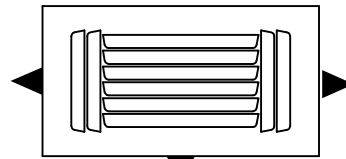
- EXTRUDED ALUMINUM CONSTRUCTION.
- ADJUSTABLE CURVED BLADE REGISTER FOR CEILING OR SIDEWALL
- OPTIONAL OPPOSED BLADE DAMPER
- 3/4" FIN SPACING
- FINISH: BRIGHT WHITE



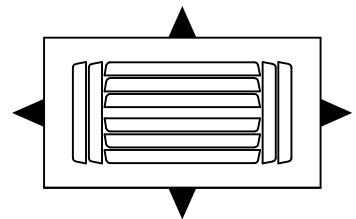
**E4033**



**E402H**  
**E402HO**



**E403**  
**E403O**



**E404**  
**E404O**

DAMPER AND DIMENSIONS ARE TYPICAL FOR ALL DEFLECTIONS

JOB NAME: _____	SUBMITTED BY: _____	DATE: 08/18/2014	AM-E400-E400-0
LOCATION: _____			<p><b>E400/E400-O SERIES</b> Adjustable Curved Blade Register With OBD Option</p>
ARCHITECT: _____			
ENGINEER: _____			
CONTRACTOR: _____			