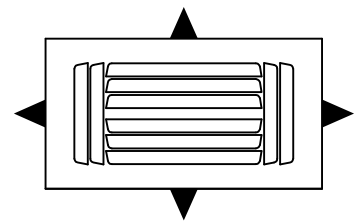
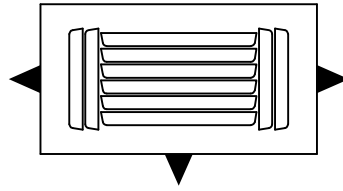
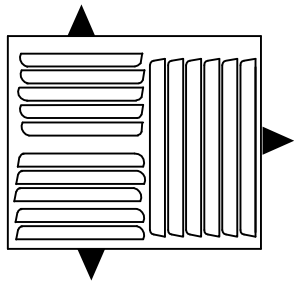
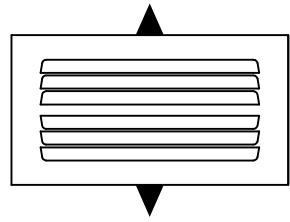
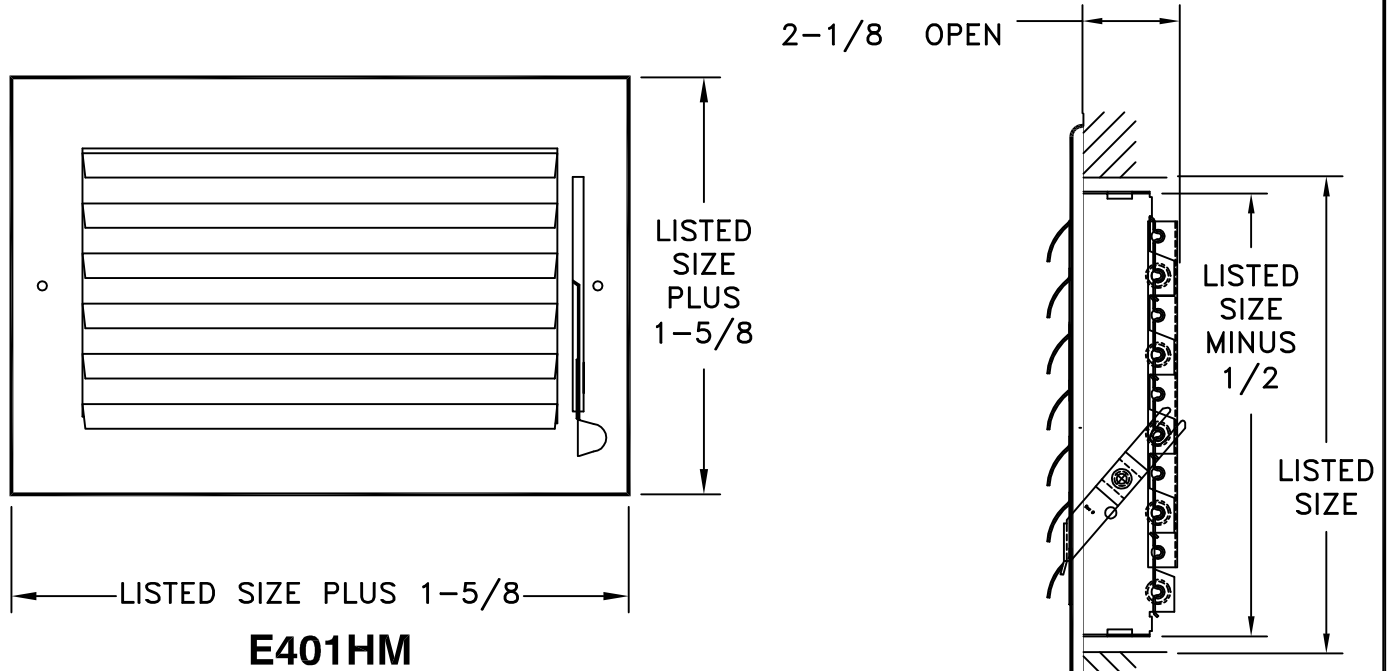


- EXTRUDED ALUMINUM CONSTRUCTION.
- ADJUSTABLE CURVED BLADE REGISTER FOR CEILING OR SIDEWALL
- MULTI-LOUVERED DAMPER
- 3/4" FIN SPACING
- FINISH: WHITE (W) ENAMEL



DAMPER AND DIMENSIONS ARE TYPICAL FOR ALL DEFLECTIONS

JOB NAME: _____	SUBMITTED BY: _____	DATE: 07/20/2014	AM-E400MS
LOCATION: _____		E400MS SERIES	
ARCHITECT: _____		Adjustable Curved Blade	
ENGINEER: _____		Register With MS Damper.	
CONTRACTOR: _____			