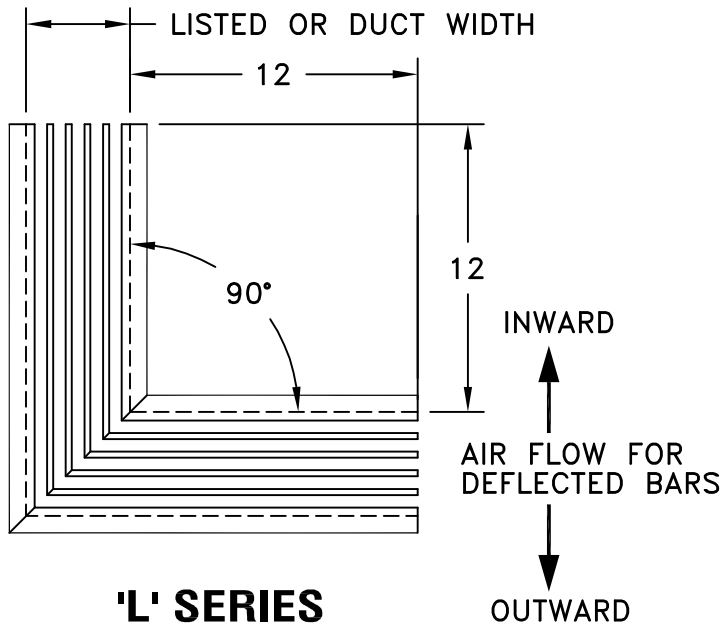
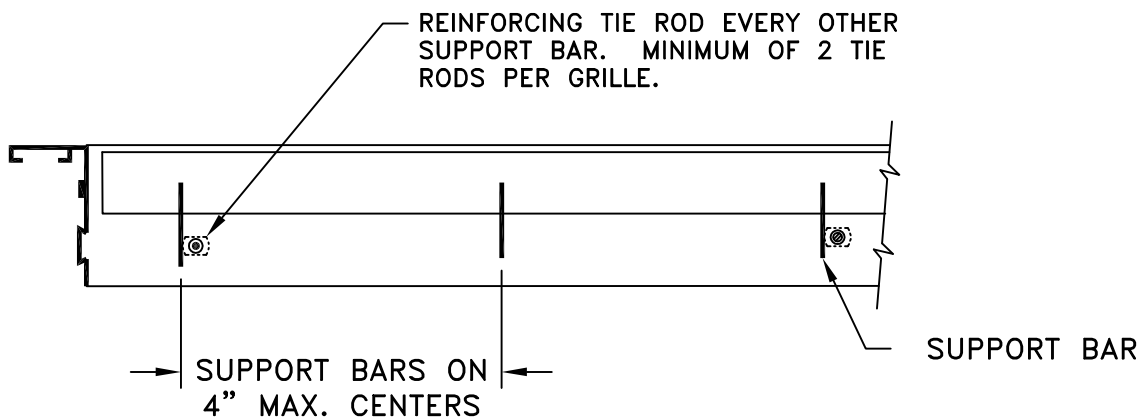


- AVAILABLE IN ALL BAR TYPES
- FOR FLOOR APPLICATIONS USE 'F' DESIGNATION
EXAMPLE: LF - 4300
- MAXIMUM LISTED WIDTH
CONSTANT TRAFFIC AREA = 8"
OCCASIONAL TRAFFIC AREA = 12"



**'L' SERIES
MITERED CORNERS**

- MITER TYPE**
- SPECIFY I (INSIDE) OR O (OUTSIDE)
DEFLECTION ON 15° OR 30° ONLY
 - FOR ALL SIDEWALL APPLICATIONS SPECIFY SI (SIDEWALL INSIDE) OR SO (SIDEWALL OUTSIDE)
 - FOR 15° OR 30° SIDEWALL ALSO SPECIFY UP OR DOWN
SIU, SID, SOU, SOD



'L' SERIES GRILLE REINFORCED FOR FLOOR USE

JOB NAME: _____
 LOCATION: _____
 ARCHITECT: _____
 ENGINEER: _____
 CONTRACTOR: _____

SUBMITTED BY: _____

DATE: 03/23/11

ELFC/ELSC SERIES
 Linear Grilles
 Mitered Corners And
 Floor Reinforced