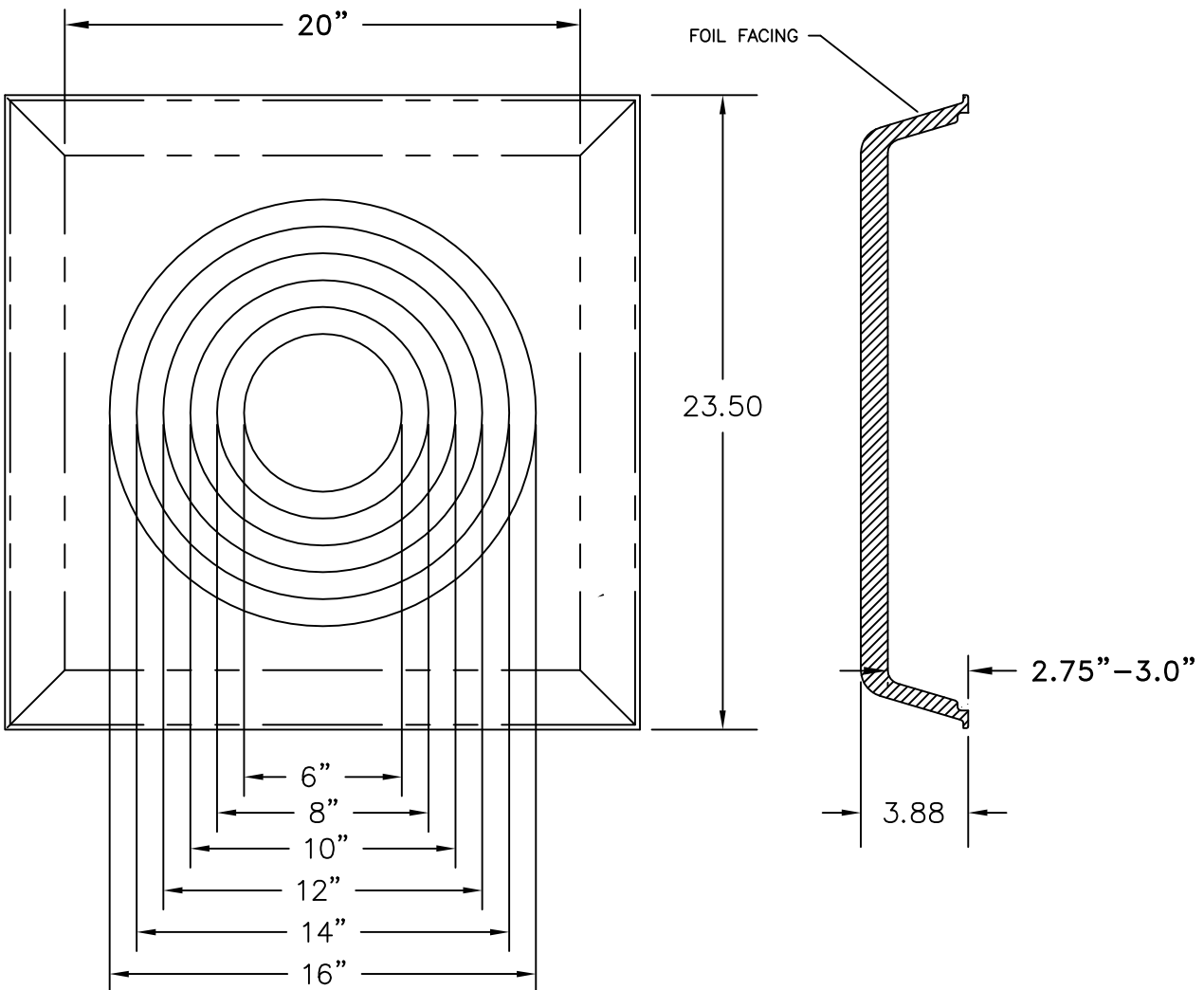


- MOLDED FOIL FACE R4.2 FIBERGLASS  
(THERMAL CONDUCTIVITY APPROX = 0.24 @ 75°F)
- LAYS ON BACK OF MOST STANDARD 2' x 2' T-BAR DIFFUSERS
- HAS 6"-16" SCORING, EVEN NUMBERS
- PASSES 25/50 FLAME AND SMOKE SPREAD ASTM E84 TEST  
TO BE PERMITTED INTO CEILING/PLENUM SPACES
- MOLD RESISTANT
- UL 181 EROSION AND IMPACT TEST
- LOS ANGELES CITY COMPLIANT



JOB NAME: \_\_\_\_\_  
 LOCATION: \_\_\_\_\_  
 ARCHITECT: \_\_\_\_\_  
 ENGINEER: \_\_\_\_\_  
 CONTRACTOR: \_\_\_\_\_

SUBMITTED BY: \_\_\_\_\_

DATE: 08/18/2014 | AM-1300R4  
**1300 PLENUM ONLY**  
 R-4 INSULATION  
 For T-bar Diffusers