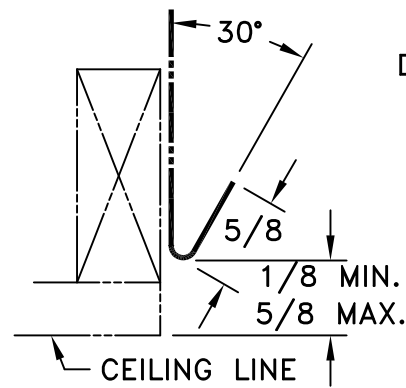
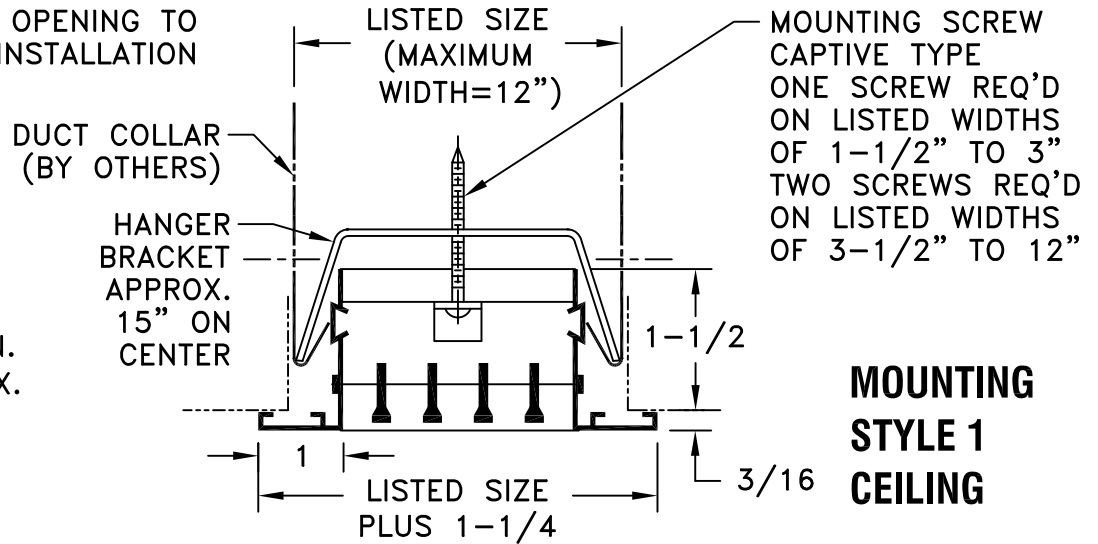


- EXTRUDED ALUMINUM CONSTRUCTION
- MINIMUM SIZE: 4 LONG X 1-1/2 WIDE ONE PIECE CONSTRUCTION
- MAXIMUM SIZE: 72 LONG X 24 WIDE ONE PIECE CONSTRUCTION
- WIDTH DIMENSION IN 1/2 INCH INCREMENTS ONLY
- LENGTHS OVER 72 INCHES ARE MULTIPLE SECTIONS WITH KEYWAY SPLICES
- YOKE HANGER AVAILABLE FOR SIZES 1-1/2 THROUGH 12 INCH ONLY
- DAMPERS, WHEN SPECIFIED, SHOULD BE DUCT MOUNTED
- FINISH: WHITE (W) OR SATIN ANODIZED (SA)

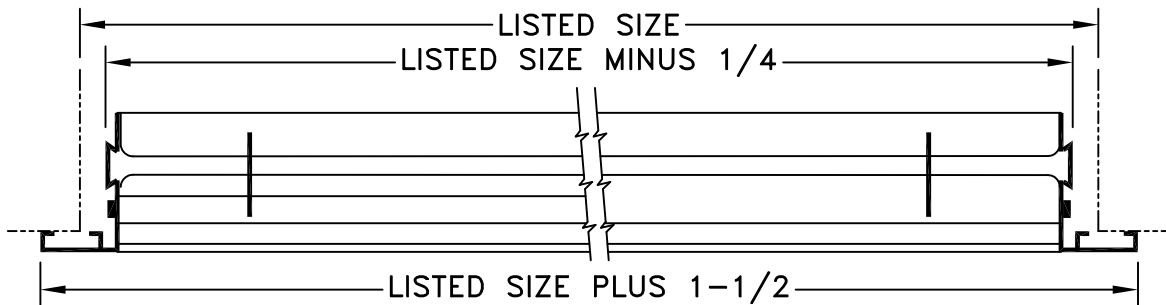
CONTRACTOR TO FRAME OPENING TO INSURE STRAIGHT LINE INSTALLATION



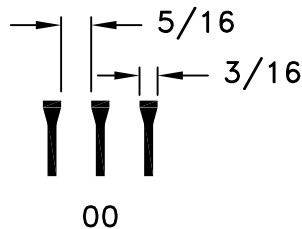
DETAIL OF HEMMED EDGE OF DUCT (BY OTHERS)



MOUNTING STYLE 1 CEILING



FACE BARS - 1/2 INCH CENTERS



THIS BAR STYLE ONLY WHEN USING MOUNTING STYLE 1.

JOB NAME: _____
 LOCATION: _____
 ARCHITECT: _____
 ENGINEER: _____
 CONTRACTOR: _____

SUBMITTED BY: _____

DATE: 03/04/11

ELS SERIES
 Linear Grilles With Yoke
 Type Concealed Mounting
 Mounting Style 1