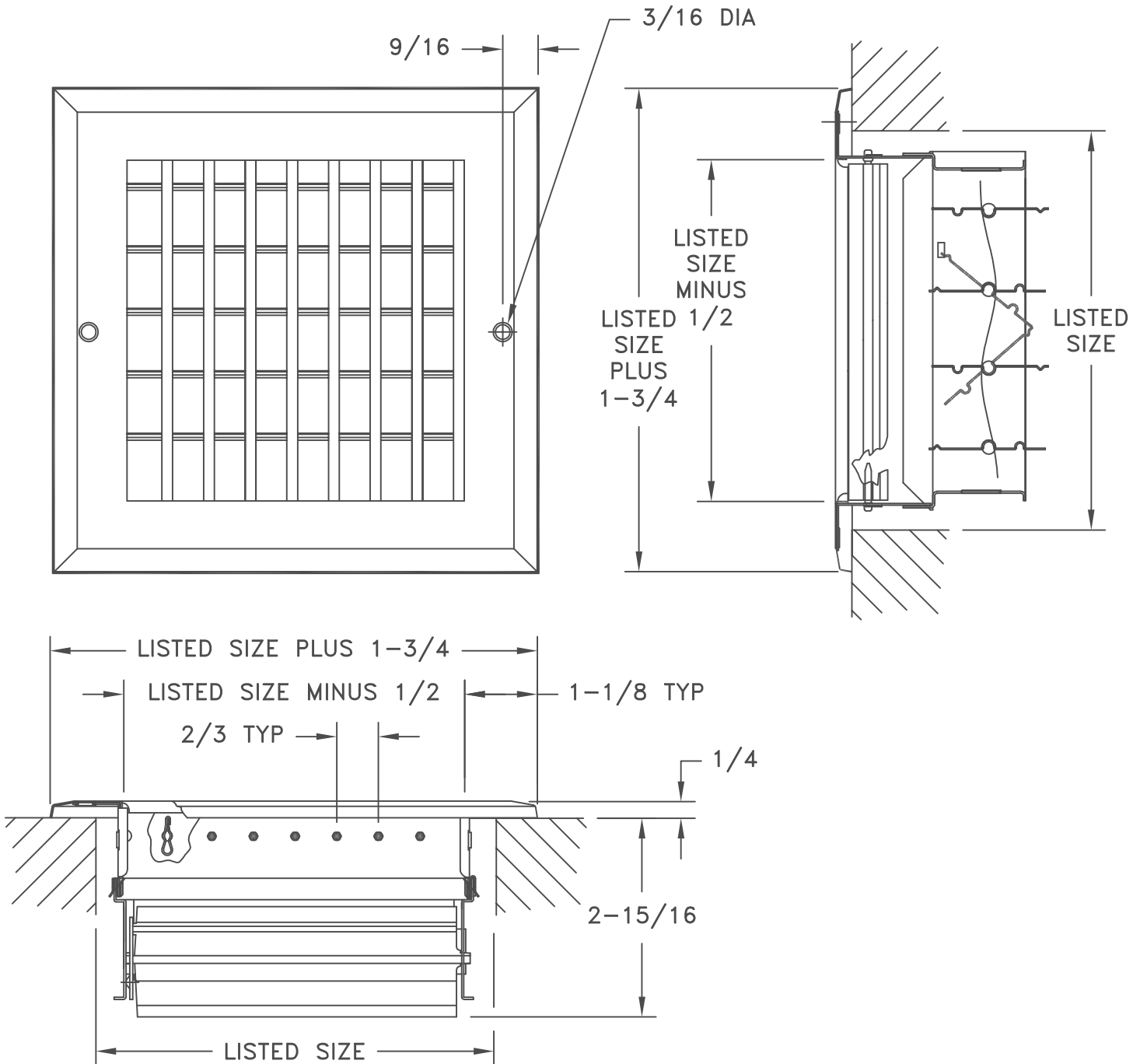


- ALUMINUM FACE, PAINTED STEEL OPPOSED BLADE DAMPER
- ADJUSTABLE VERTICAL FRONT FINS
- MINIMUM SIZE = 6 X 6
- MAXIMUM SIZE = 14 X 14
- FINISH: WHITE (W) ENAMEL



|                   |                     |   |           |
|-------------------|---------------------|---|-----------|
| JOB NAME: _____   | SUBMITTED BY: _____ | DATE: 07/20/2014                          | AM-A4880B |
| LOCATION: _____   |                     | <b>A488-OB</b>                            |           |
| ARCHITECT: _____  |                     | Aluminum, Adjustable Straight Fin         |           |
| ENGINEER: _____   |                     | Register With Painted Steel               |           |
| CONTRACTOR: _____ |                     | Opposed Blade Damper<br>Single Deflection |           |