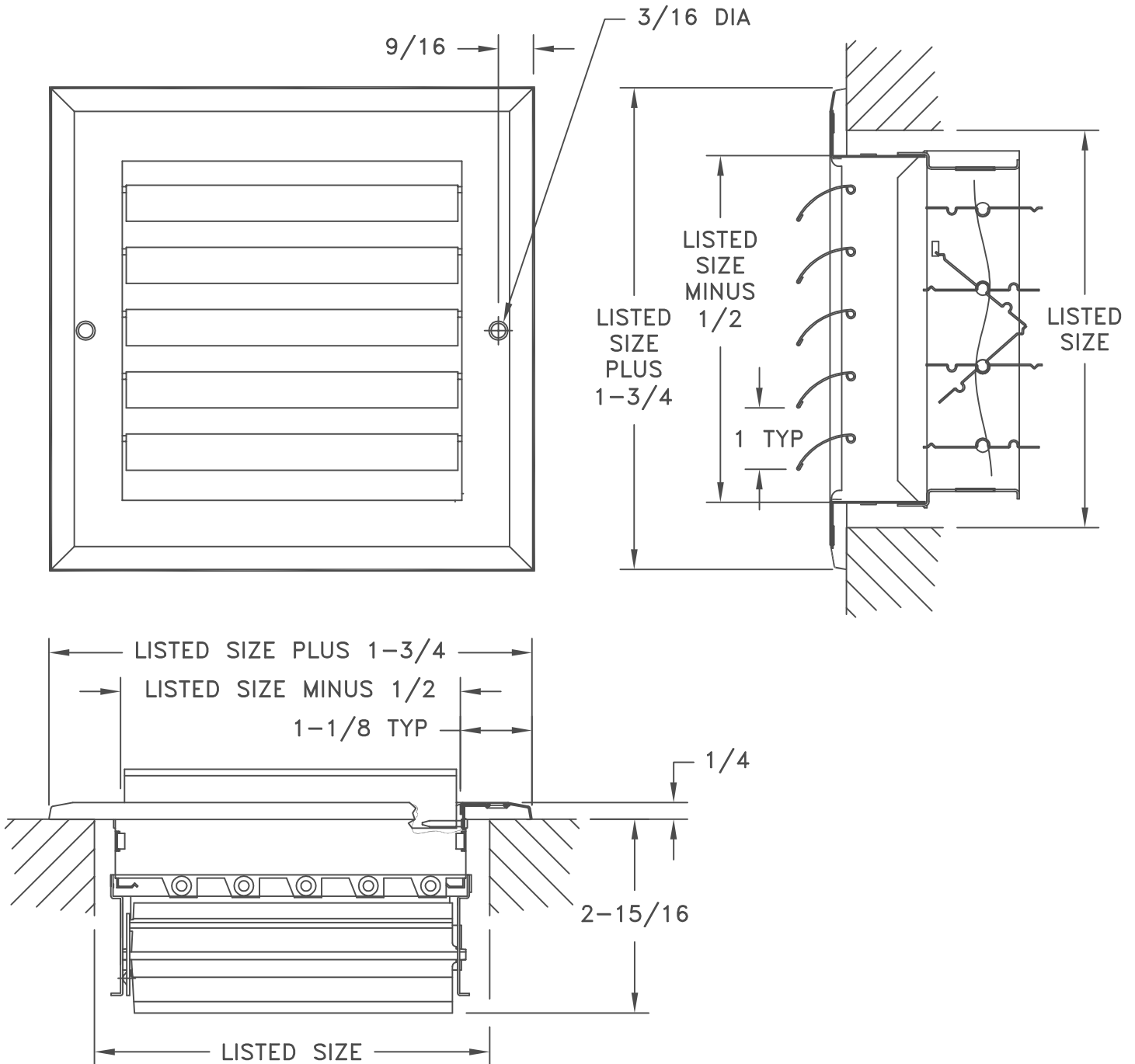


- ALUMINUM FACE, GALVANIZED OPPOSED BLADE DAMPER
- ADJUSTABLE CURVED BLADES
- MINIMUM SIZE = 6 X 6
- MAXIMUM SIZE = 14 X 8
- FINISH: WHITE (W) ENAMEL



JOB NAME: _____	SUBMITTED BY: _____	DATE: 07/20/2014	AM-A481OB
LOCATION: _____		A481-OB Aluminum, Curved Blade Register With Painted Steel Opposed Blade Damper 1-Way Air Pattern	
ARCHITECT: _____			
ENGINEER: _____			
CONTRACTOR: _____			