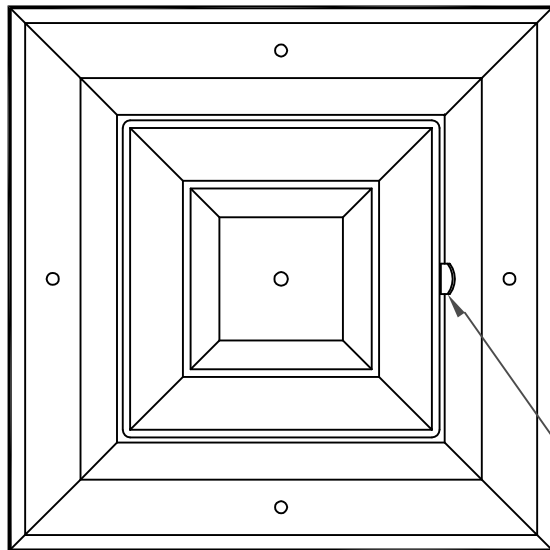
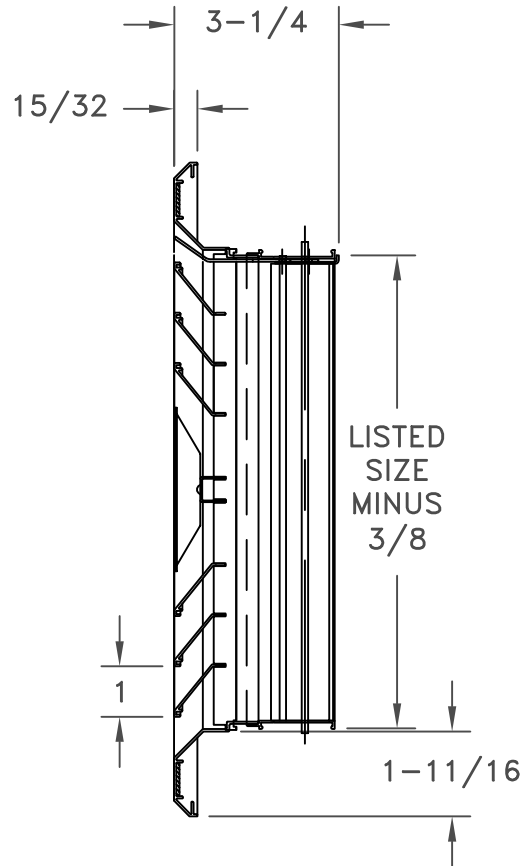


- INTEGRAL OPPOSED BLADE DAMPER
- AVAILABLE IN SIZES 6 X 6 THROUGH 14 X 14 IN 2 INCH INCREMENTS
- A STEEL PANEL FOR ALL SIZES AND PATTERNS FITS 24 X 24 INCH T-BAR CEILINGS SEE SD-2302
- FINISH: WHITE (W) ENAMEL

4 WAY CORE SHOWN



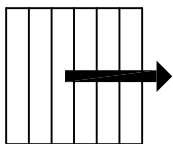
LISTED SIZE PLUS 3
SQUARE



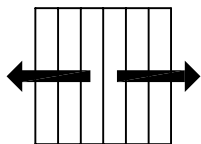
AIR VOLUME CONTROL LEVER

FLOW PATTERNS

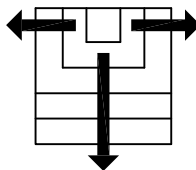
1 WAY
A1001-OB



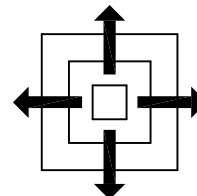
2 WAY
A1002-OB



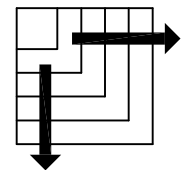
3 WAY
A1003-OB



4 WAY
A1004-OB



2 WAY
CORNER
A1005-OB



JOB NAME: _____
 LOCATION: _____
 ARCHITECT: _____
 ENGINEER: _____
 CONTRACTOR: _____

SUBMITTED BY: _____

DATE: 07/20/2014 AM-1000OB

A1000-OB
 Aluminum Square Diffuser
 With Opposed Blade Damper