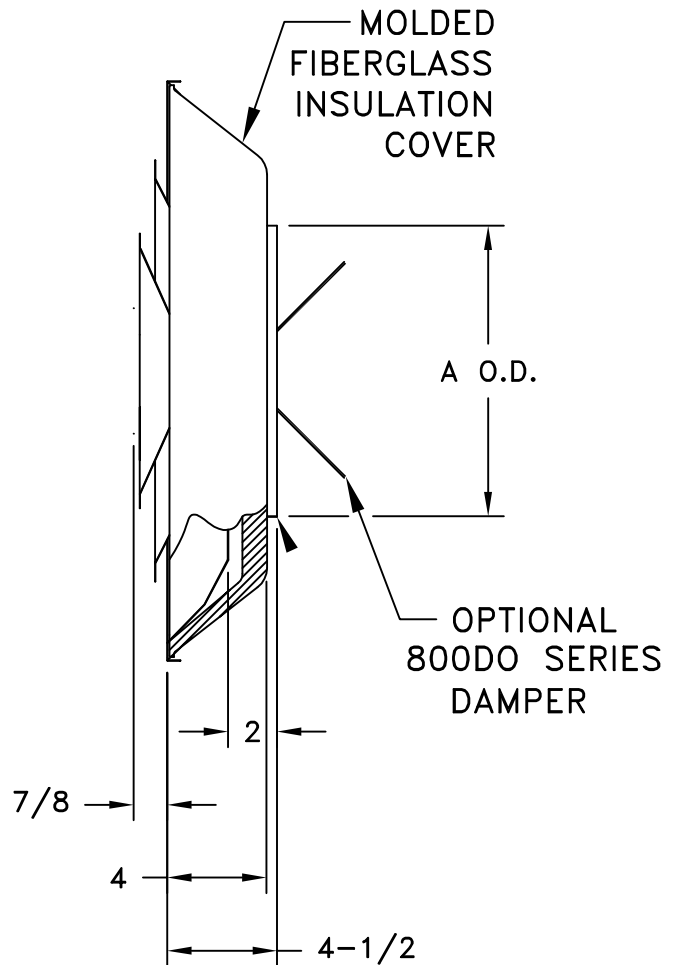
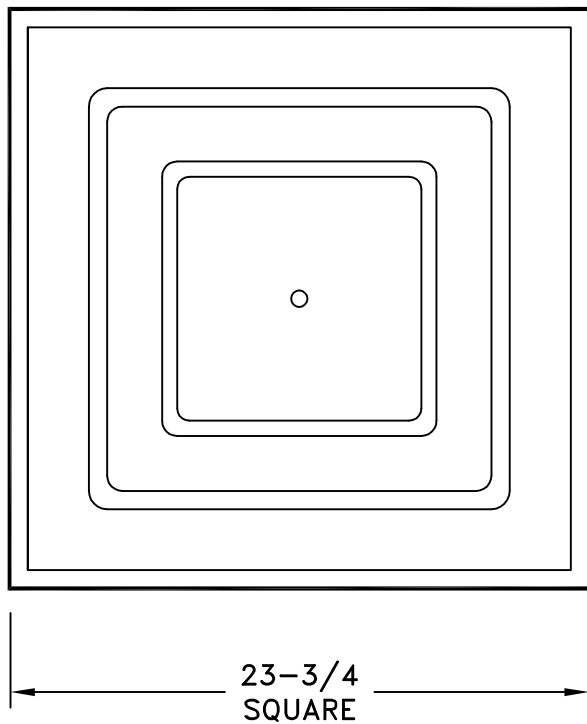


AIRMATE

SUBMITTAL DRAWING

- ALL STEEL CONSTRUCTION
- MOLDED R6 FIBERGLASS INSULATION COVERS BACKPANEL
- FITS STANDARD 2' X 2' T-BAR CEILING SYSTEMS
- OPTIONAL NO. 800DO STEEL BUTTERFLY DAMPER ADJUSTABLE THROUGH THE FACE
- AVAILABLE IN 6-14 INCH COLLAR SIZES
- FINISH: WHITE (W) ENAMEL



SIZE	A O.D.
6	5-7/8
8	7-7/8
10	9-7/8
12	11-7/8
14	13-7/8

JOB NAME: _____
 LOCATION: _____
 ARCHITECT: _____
 ENGINEER: _____
 CONTRACTOR: _____

SUBMITTED BY: _____

DATE: 11/01/2013

1302 R6
 Steel/Aluminum
 Fixed Pattern Diffuser
 With R6 Insulation